



# 深圳明佳创新电子有限公司

Shenzhen MingJia Chuangxin Electronics Co., Ltd



ISO9001/TS16949 Certificated

## 承认书 FOR APPROVAL

客户名称:

Customer:

客户料号:

Customer, s NO: /

客户机型:

Product:

客户确认回复: Customer Approval Status:	接受 PASSED
	拒收 REJECTED
	签核: Signature:

: : : : : : : : : : 明佳资料 MingJia INFORMATION : : : : : : :

产品类别:

Product: 显示屏模组

品号:

Part No: SS466AMS2

规格:

Specification:

图号:

Drawing No:

摘要:

Note:

经办 Prepared	核对 Checked By	工程部核准 Approved
崔彦清	李竹	李建昆

业务部 Sales Department

地址: 广东省深圳市龙岗龙东兰水坡兰二路 260号

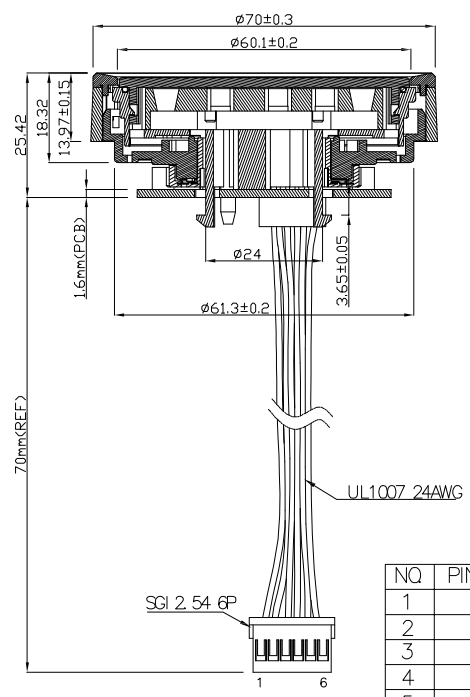
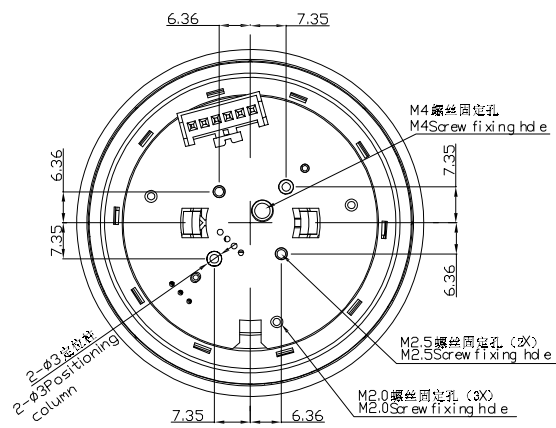
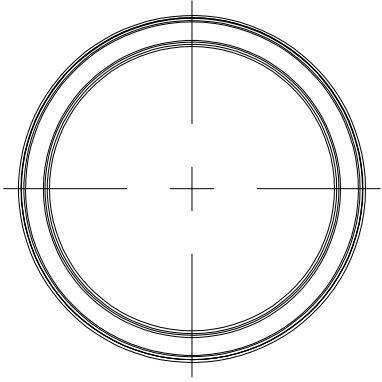
TEL: 86-0755-84882880/84882996

FAX: 86-0755-84882669

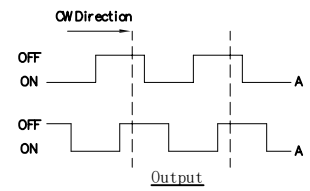
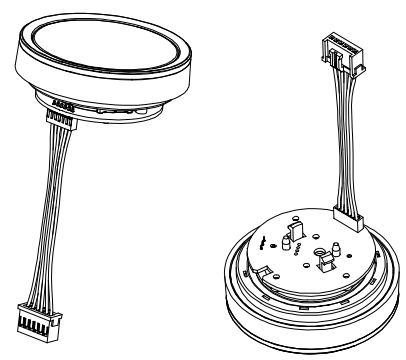
E-mail: sales@szmjcx.com

Website: www.szmjcx.com

承认书编号Spec. No
MJ-SS466-001-A



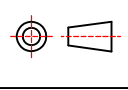
NQ	PIN DEFINE
1	SDA
2	SCL
3	VCC
4	GND
5	CODEB
6	CODEA



技术说明 Technical description:

- 外观无明显刮痕、毛刺、熔接痕等现象;  
The appearance has no obvious scratches, burrs, weld marks and other phenomena;
- PCB卡槽不能有UV胶;  
The PCB card slot can not have UV glue;
- 旋钮旋转时无卡涩现象;  
Knob rotation without not smooth phenomenon;
- 编码器机械寿命2.5万次;  
The mechanical life of encoder is 25,000 times;
- 旋钮扭力矩300 $\pm$ 100gf.cm;  
Knob torque is 300 $\pm$ 100gf.cm;
- 脉冲数14个;  
14 pulses;
- 定位数及位置14点定位间隔角度25.71 $\pm$ 2°;  
Positioning number and positions: 14 points and positioning interval angle is 25.71 $\pm$ 2°

**Mingnno**  
深圳明佳创新电子有限公司



SCALE	UNIT
1.5:1	mm

TOL. UNLESS OTHRWISE SPEC.		ISSU.	DATE	REVISION	DESIGN
BASIC DIMENSIONS	TOL.	0	2023. 12. 26	初始制做	LJK
L $\leq$ 10	$\pm 0.3$	1			
10<L	$\pm 0.5$	2			
100 $\leq$ L	$\pm 0.8$	3			
ANGLE	$\pm 5^\circ$	4			

MODEL: SS466AMS2	VERSION	DRAW	CHKD	APPD
DRAWING NO: RD-SS466-0001	A0	LJK	KUN. LU	KUN. LU

### 一、一般事項 General

#### 1.1 適用規格 Scope

本规格书适用于微小电流回路的电子设备，属编码模组。

This specification is applied for electronic components of low-current circuit, especially for switch coding model.

#### 1.2 標準狀態 Standard conditions:

除另有規定外，測量應在以下狀態下進行:

Measurements shall be made in the following states (unless otherwise specified):

溫度 Ambient temperature : 5°C to 35°C

相對濕度 Relative humidity : 25% to 85%

氣壓 Air pressure : 86kpa to 106kpa

如果對上述所提到的條件中所做的實測值有疑問的話，應使用以下條件進行測量:

If there is any doubt about the measured value of the above mentioned conditions, the following conditions should be used for the measurement :

溫度 Ambient temperature : 20 ± 1°C

相對濕度 Relative humidity : 60% to 70%

氣壓 Air pressure : 86kpa to 106kpa

#### 1.3 使用溫度範圍

Operating temperature range : - 25°C to +85°C

#### 1.4 保存溫度範圍

Storage temperature range : - 25°C to + 85°C

### 二、構造 Construction

#### 2.1 尺寸 Dimensions

見所附成品圖 Refer to attached drawing

#### 2.2 外觀 Appearance:

成品外觀良好，沒有妨害機械性能的銹化、裂痕、破損、電鍍不良及剝離等情形

The finished product has good appearance, without rust, crack, damage, bad electroplating and stripping which may impair mechanical properties.

### 三、功能 Function

數碼管功能顯示

Digital tube function display

### 四、額定值 Rating

4.1 額定電壓:DC 3.3V

Rated voltage:DC 3.3V

4.2 最大額定電流 (阻抗負載) :100mA

Rated current:100mA (Load Resistance)

### 五、使用上的事項 Application Notes

5.1 產品以交貨時的狀態在常溫、常濕，不受陽光直射照射，不產生腐蝕性氣體的場所保管，自交貨起6個月內使用為佳。

Please store it within the normal temperature, normal humidity, without the direct sunlight irradiation no corrosive gas place and use it within the 6 month from the delivery date would be better.

5.2 包裝被打開後未使用完的產品使用聚乙烯袋與空氣隔斷（例如：使用密封袋將其密封）請在a環境下保管與盡快使用。

Once opened, the unused products should be packed in polyethylene bag, and protected from the air (eg. Use the sealing bag to seal it), please store it under the environment a, and use it ASAP.

5.3 編碼器信號的計算方法應將操作的速度，信號的取樣時間及電子回路中的微電腦軟體等考慮進去。

The encoder pulses count method should be designed with taking operating speed, sampling time and esign of the microcomputer software into cosideration.

六、电气性能 Electrical Characteristics		
項目 ITEM	條件 CONDITIONS	規格 SPECIFICATIONS
6.1 绝缘阻抗 Insulation resistance	在端子和塑胶外壳间施加电压 300V DC Measurement shall be made under the condition A voltage of 300V DC shall be applied between individual terminals and Plastic shell.	100MΩ 以上 100MΩ Min
6.2 耐電壓 Voltage proof	在端子和塑胶外壳间施加AC 300V电压1分钟 A voltage of 300V AC shall be applied for 1 minute between individual terminals and Plastic shell.	不可有損傷,電弧,絕緣,破壞 No damage, arcing, insulation or damage.
6.3 信号输出 Signal output	使用客供专用检测信号设备测试 Use customer-specific dedicated signal detection equipment test.	不可有乱码、漏格、跳格, 显示正常现象 No mess, no leak, no jumping
七、機械性能 Mechanical Characteristics		
項目 ITEM	條件 CONDITIONS	規格 SPECIFICATIONS
7.1 定位点力矩 Detent torque	定位点力矩300±100gf.cm Detent torque300±100gf.cm	300±100gf.cm
7.2 推拉强度 Push-pull strength	将产品装入相应治具,推拉力计推(或)拉70N力止,测试产品功能 Put the product into the corresponding fixture, push the force gauge to push (or) pull 70N force, test the product function.	≥70N
7.3 轴晃动 Axis shake	将产品装入相应治具,推拉力计推(或)拉500gf.cm力,读取百分表数据 Load the product into the appropriate treatment device, push pull (or) pull the 500gf. Cm force, read the percentage table data.	≤0.3mm
八、耐久性能 Endurance Characteristics		
項目 ITEM	條件 CONDITIONS	規格 SPECIFICATIONS
8.1 回转寿命 Rotary life	無負荷狀態,把柄转动速度600回/小時,回转角度超过90%以上,總次數25,000回以上。 No load condition, handle rotation speed 600 times/hour, rotation angle more than 90%, the total number of more than 25,000 times.	25,000

<p>8.2防水测试 Water-proof test</p>	<p>将产品固定在专用的治具上，用装有释稀红墨水的瓶子，挤压均匀的喷淋产品上，直至一瓶红墨水使用完。静置24小时后要能通电正常工作，且电器件上不能有水印及积水。 Fix the product on a special fixture, spray diluted red ink evenly over the product until a bottle of red ink is used. After standing for 24 hours, it must be able to work normally, and there must be no watermark or water on the electrical device.</p>	<p>电气和机械性能没有异常 No abnormality in electric and Mechanical characteristics.</p>
<p>8.3温度循环特性 Change of temperature</p>	<p>低温-25摄氏度放置30分钟，高温85度加90%湿度放置30分钟，为一个周期。循环10次后在常温常湿中放置2小时后再进行测量。 The low temperature is placed at a negative temperature of -25 degrees Celsius for 30 minutes, and the high temperature is 85 degrees plus 90% humidity for 30 minutes for one cycle. After 10 cycles, it was placed in normal temperature and humidity for 2 hours and then measured.</p>	<p>低温-25°C 高温85°C 湿度90% Low temperature -25 ° C high temperature 85 ° C humidity 90%</p>
<p>8.4低温特性 Cold</p>	<p>在-20°C温度维持4小时后，通电待机（接通电源后按电源键开机）2小时 After maintaining at -20 ° C for 4 hours, power on standby (press the power button after turning on the power) 2 hours.</p>	<p>低温-20 ° C Low temperature -20 ° C</p>
<p>8.5 高温高湿特性 High temperature</p>	<p>在60°C/90%RH温度维持4小时后，通电待机（接通电源后按电源键开机）2小时 After maintaining at 60 ° C / 90% RH for 4 hours, power on standby (press the power button after turning on the power) 2 hours.</p>	<p>高温60 ° C 湿度90% high temperature 60 ° C humidity 90%</p>
<p>8.6盐雾试验 Salt spray test</p>	<p>盐份：5±1% .温度：35±2°C 时间：168小时 Salt: 5±1%. Temperature: 35±2°C Time: 168 hours</p>	<p>金属塑胶部分无明显腐蚀现象。 There is no obvious corrosion in the metal plastic part.</p>
<p>8.7耐振性 Vibration Resistance</p>	<p>10~55~10Hz 变频振动（1开闭1分钟、振幅1.5mm），在X、Y、Z 3个坐标方向上各2小时（共6小时） 10~55~10Hz vibration (1 open and close for 1 minute, amplitude 1.5mm), 2 hours in X, Y, Z coordinate directions (6 hours total).</p>	<p>电气和机械性能没有异常 No abnormality in electric and Mechanical characteristics.</p>

### 九、环保要求：产品所含零件都符客户环保要求

All parts included in the product meet customer environmental requirements

### 十、包装说明 Packing Description

#### 10.1 使用珍珠棉袋包装

Packing with pearl cotton bag;

#### 10.2 一个卡位放一个产品，一层刀卡20PCS

One card position for one product, 20PCS for a layer;

#### 10.3 外箱规格 (长L×宽W×高H): 450mm×360mm×240mm

Carton size (length×width×high):450mm×360mm×240mm;

#### 10.4 一个纸箱装5层，共计：100PCS/箱

5 layers for one carton : total 100PCS / carton;

#### 10.5 纸箱用封箱胶纸封箱

Carton sealing tape sealing;



珍珠棉袋 pearl cotton bag



刀卡Knife card



隔板Divider

