

E1800AA1H1

Part number	E1800AA1H1
Structure	Vertical
Actuator configuration	Optional
Actuator length	Optional
Number of detent	Optional

Number of pulse	Optional
Position No.	16
Push-on switch	Without
Travel of push-on switch	Without
Operating temperature range	-20°C~+70°C

Electrical characteristics

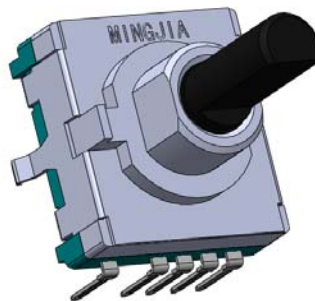
Ratings	1mA 10V DC
Insulation resistance	10M Ω min, 250V DC
Voltage proof	50V AC for 1 minute

Mechanical characteristics

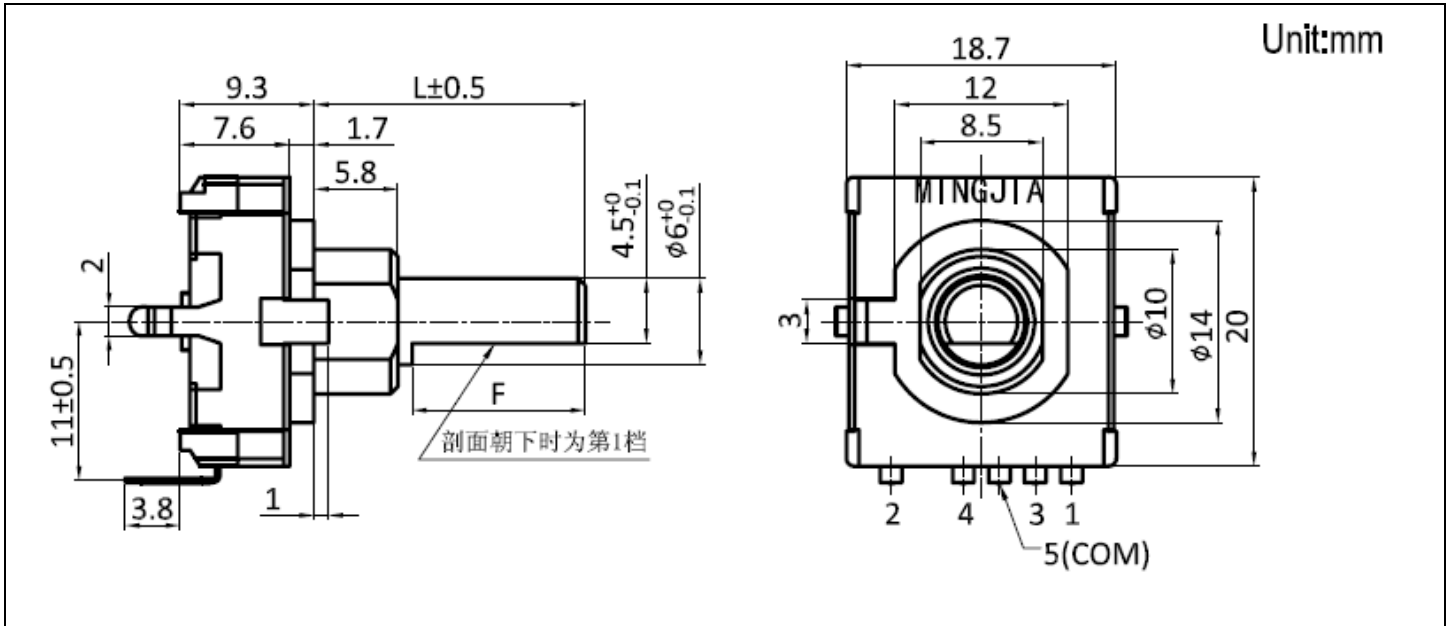
Rotational torque	15 to 35mN.m
Push-pull strength	80N

Durability	Operating life	30,000 cycles
MOQ		1,200pcs

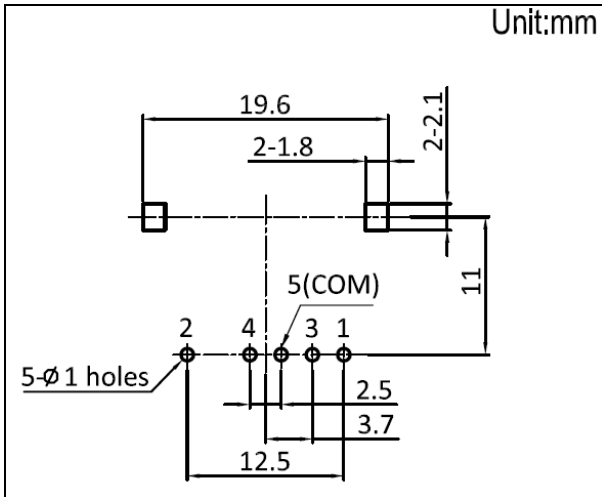
Photo



Dimensions



Mounting Hole Dimensions

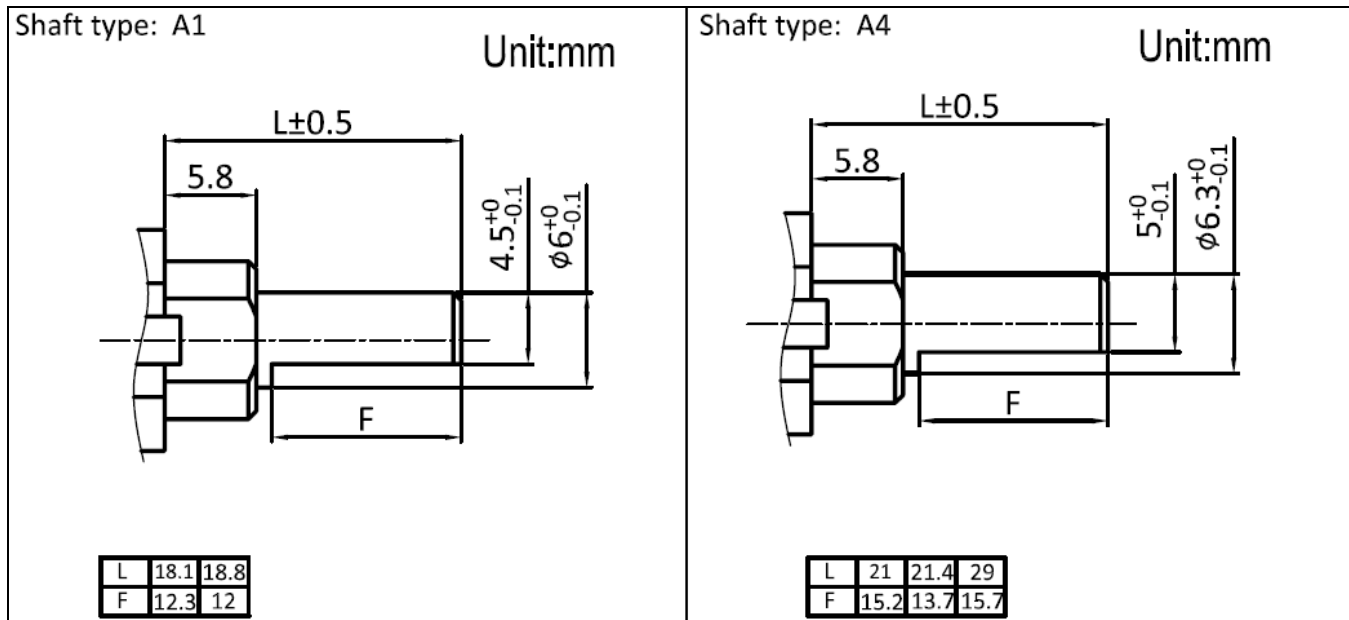


Output Wave

Position No.	1	2	3	4	5	6	7	8	9	10	11	12	13	14	15	16	
Terminal No.	1	○	●	●	○	○	●	●	○	○	●	●	○	○	●	●	○
2	○	○	●	●	●	●	○	○	○	○	●	●	●	●	○	○	
3	○	○	○	○	●	●	●	●	●	●	●	●	○	○	○	○	
4	○	○	○	○	○	○	○	○	○	●	●	●	●	●	●	●	
5 (COM)	●	●	●	●	●	●	●	●	●	●	●	●	●	●	●	●	

Remark: ● denote short ○ denote open

Shaft and Shaft Length Options



Packing specifications

Quantity per carton	2.000pcs
Packing method	Foam box
Carton dimension	460X285X310mm

Soldering conditions

Wave soldering

Soldering surface temperature	100°C max.
Heating time	2 min. max.
Soldering temperature	260°C ±5°C max.
Soldering time	5 ±1s
No. of solders	2 time max.

Hand soldering

Tip temperature	350°C max.
Soldering time	3s max.
No. of solders	1 time