

# E2500AX1H1

---

Part number	E2500AX1H1
Structure	Vertical
Number of pulses	10
Number of detent	20

---

Number of pulse	Optional
Push-on switch	Without
Travel of push-on switch	Without
Operating temperature range	-40°C~+85°C

---

## Electrical characteristics

Ratings	10mA 5V DC
Output signal	Two phase A and B
Max./min. operating current (Resistive load)	10mA/1mA
Insulation resistance	100M $\Omega$ min, 250V DC
Voltage proof	300V AC for 1 minute

---

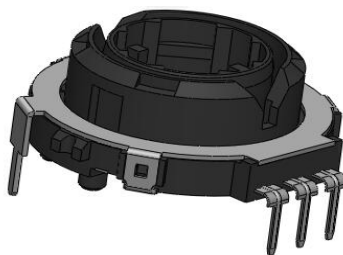
## Mechanical characteristics

Rotational torque	10 $\pm$ 5 mN.m
Push-pull strength	100N

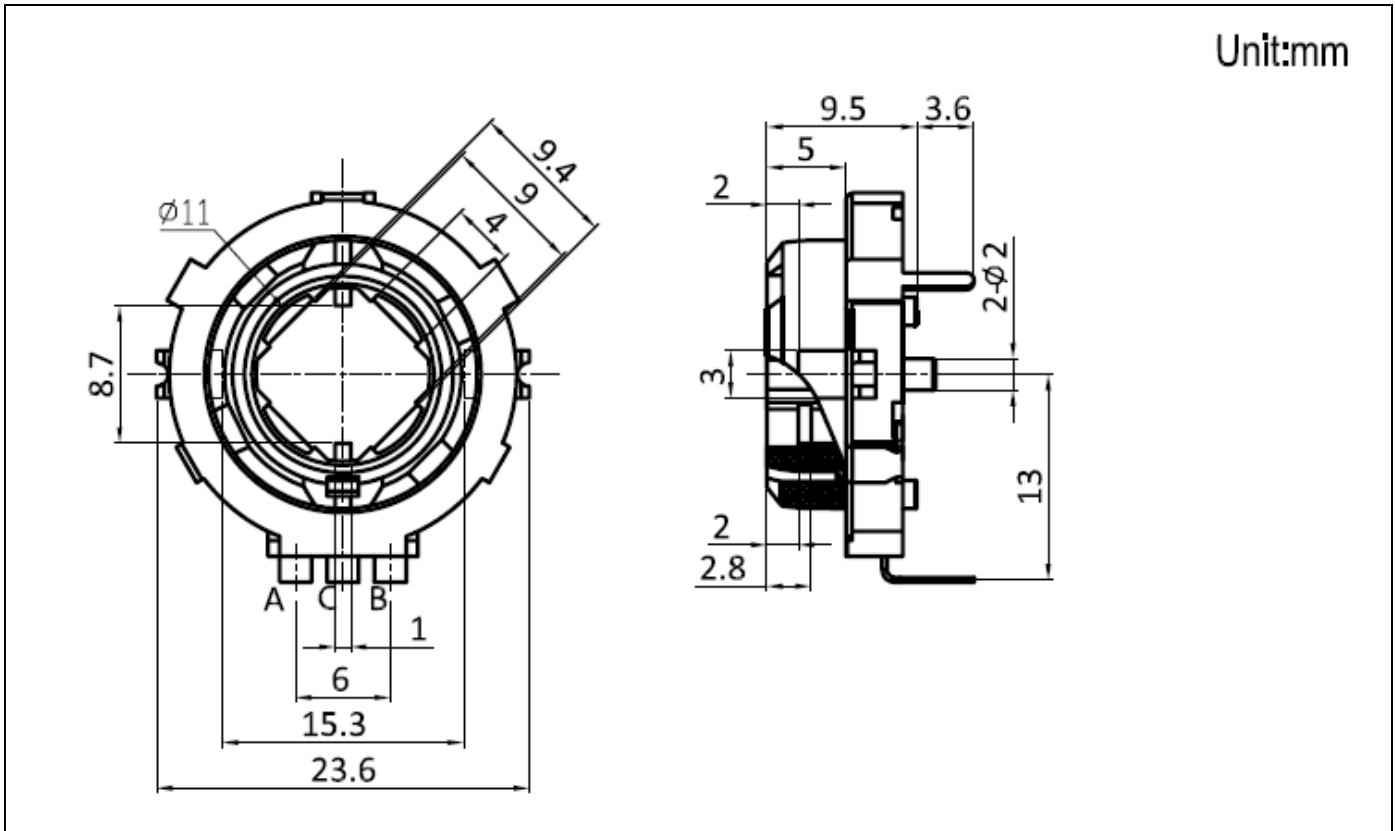
---

Durability	Operating life	30,000 cycles
MOQ		1,000pcs

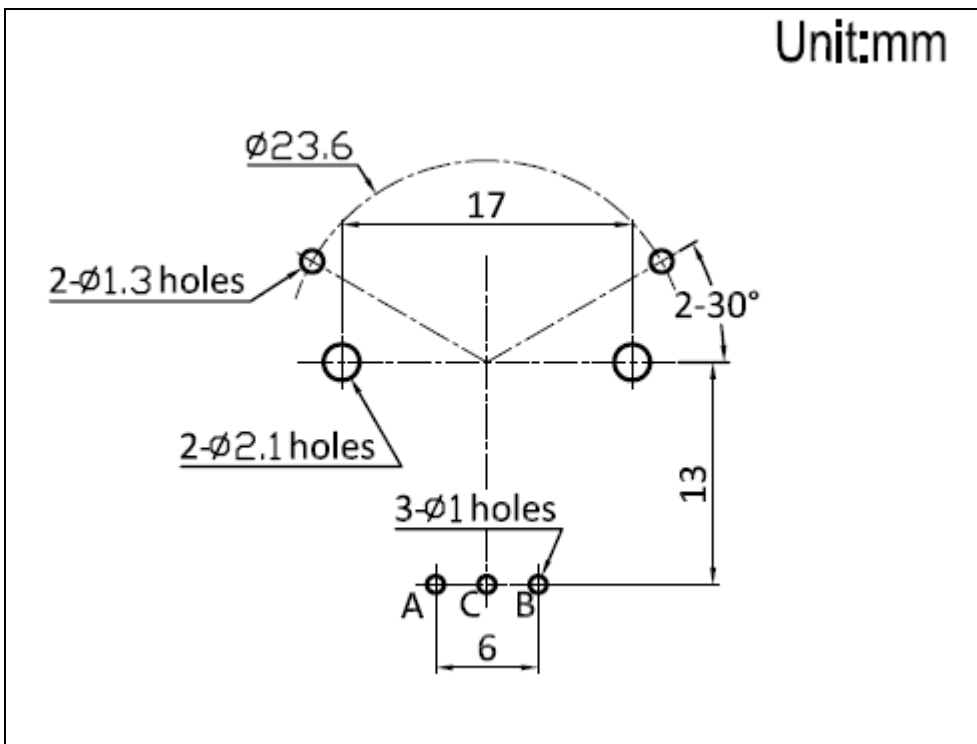
## Photo



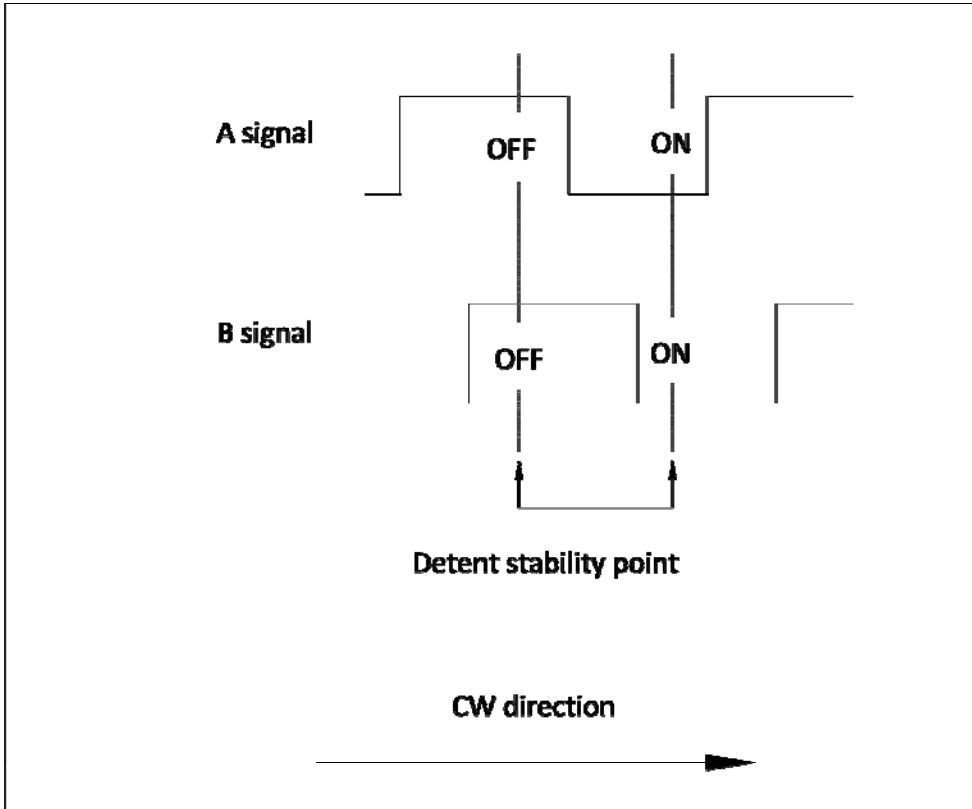
## Dimensions



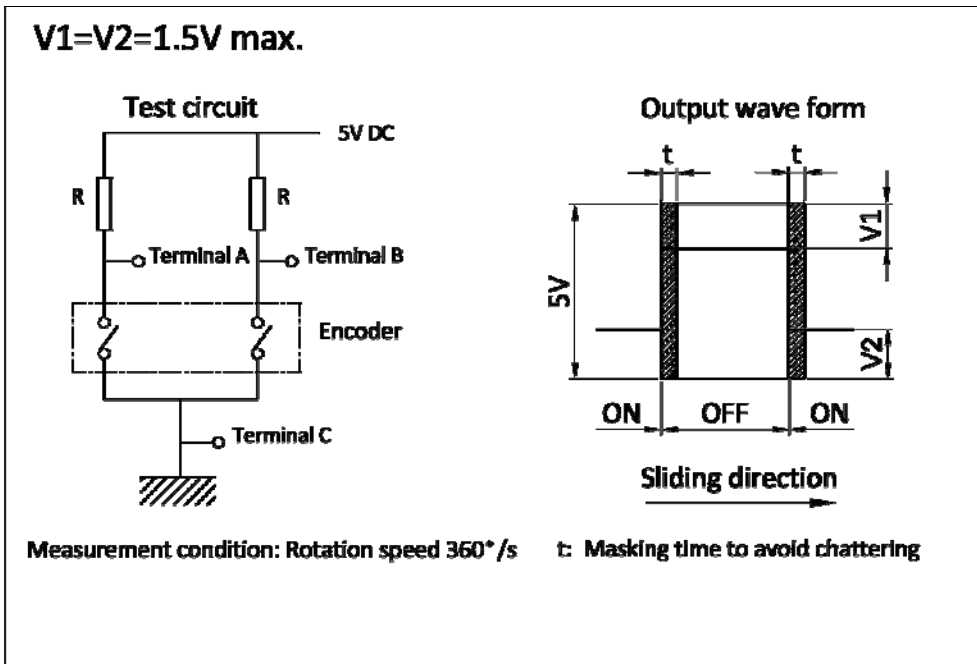
## Mounting Hole Dimensions



## Output Wave



## Sliding Noise



## Packing specifications

Quantity per carton	2,000 pcs
Packing method	Foam box
Carton dimension	460X285X310mm

## Soldering conditions

---

### Wave soldering

Soldering surface temperature	100°C max.
Heating time	2 min. max.
Soldering temperature	260°C ±5°C max.
Soldering time	5 ±1s
No. of solders	2 time max.

---

### Hand soldering

Tip temperature	350°C max.
Soldering time	3s max.
No. of solders	1 time