

# E1600AE0H1.

---

Part number	E1600AE0H1.
Structure	Horizontal
Actuator configuration	Optional
Actuator length	Optional
Number of pulses	24
Number of detent	24

---

Number of pulse	Optional
Push-on switch	Without
Travel of push-on switch	Without
Operating temperature range	-40°C~+85°C

---

## Electrical characteristics

Ratings	10mA 5V DC
Output signal	Two phase A and B
Max./min. operating current (Resistive load)	10mA/1mA
Insulation resistance	100M $\Omega$ min, 250V DC
Voltage proof	300V AC for 1 minute

---

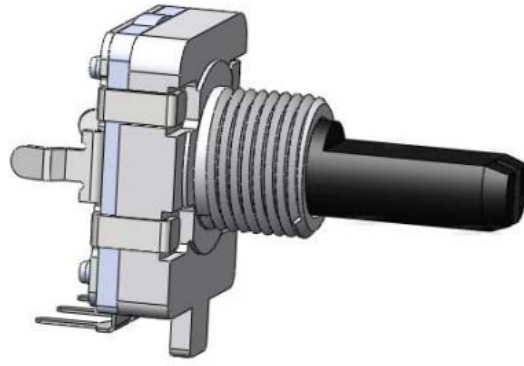
## Mechanical characteristics

Rotational torque	12 $\pm$ 8 mN.m
Push-pull strength	100N

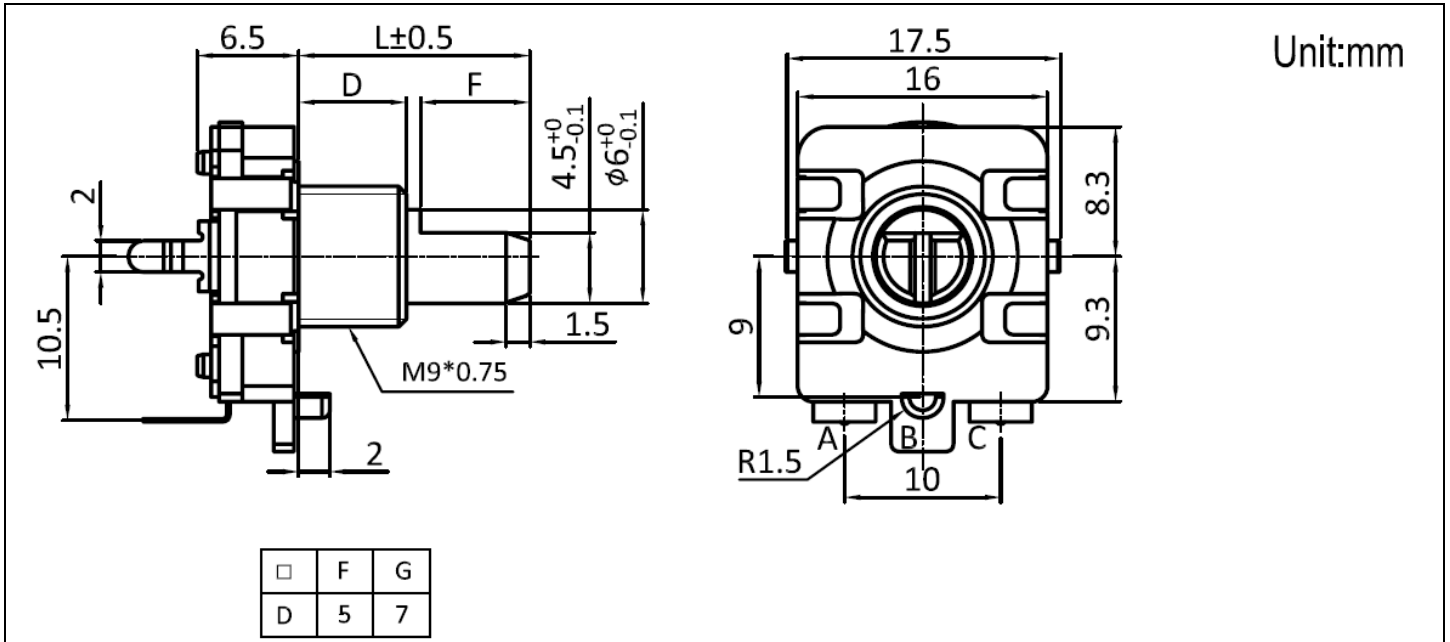
---

Durability	Operating life	30,000 cycles
MOQ		1,000pcs

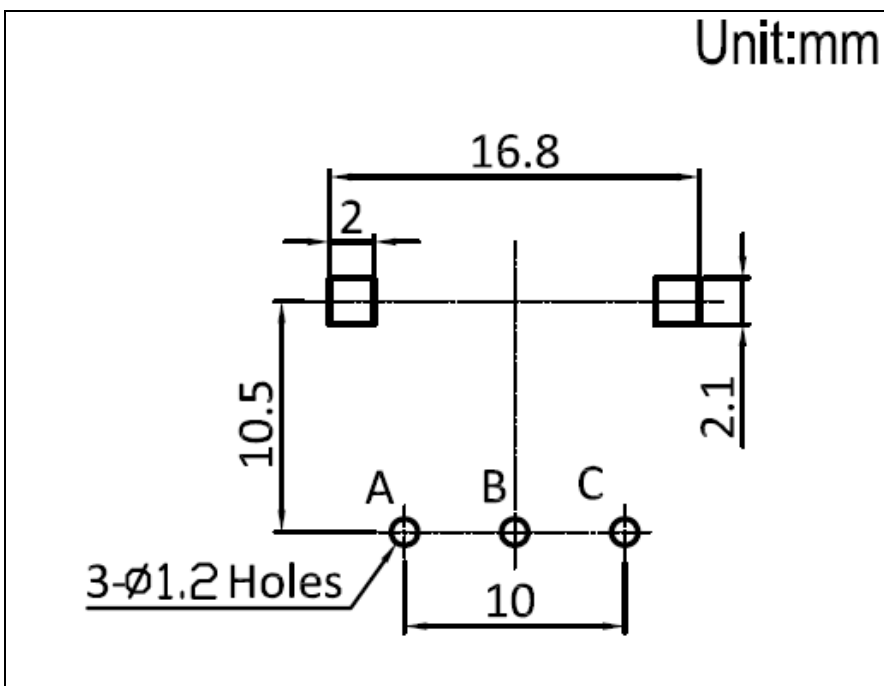
Photo



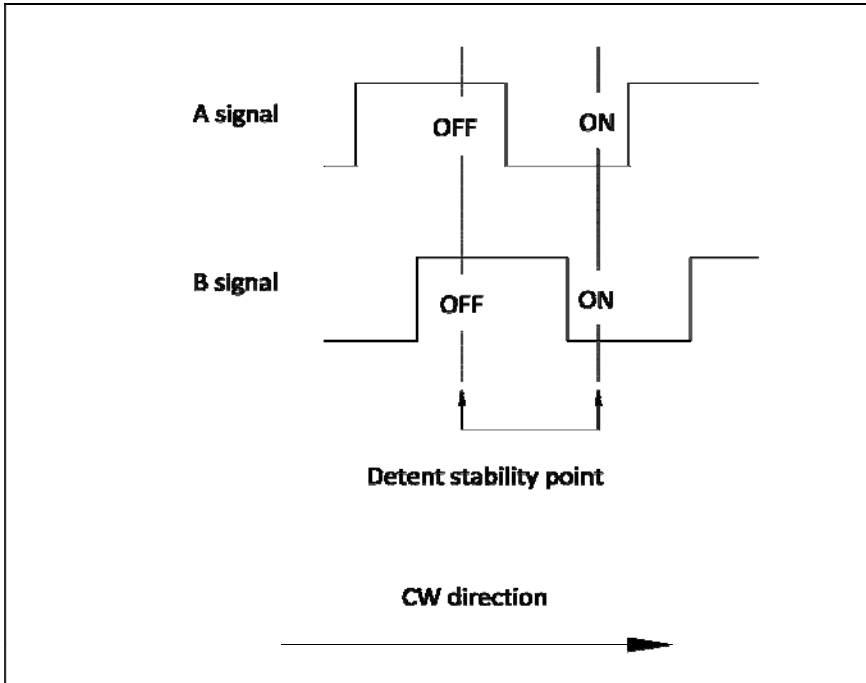
Dimensions



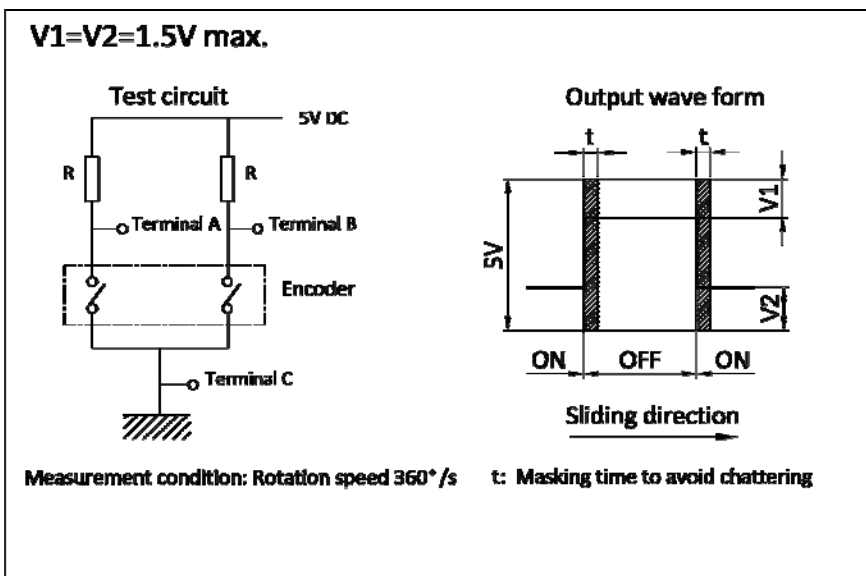
Mounting Hole Dimensions



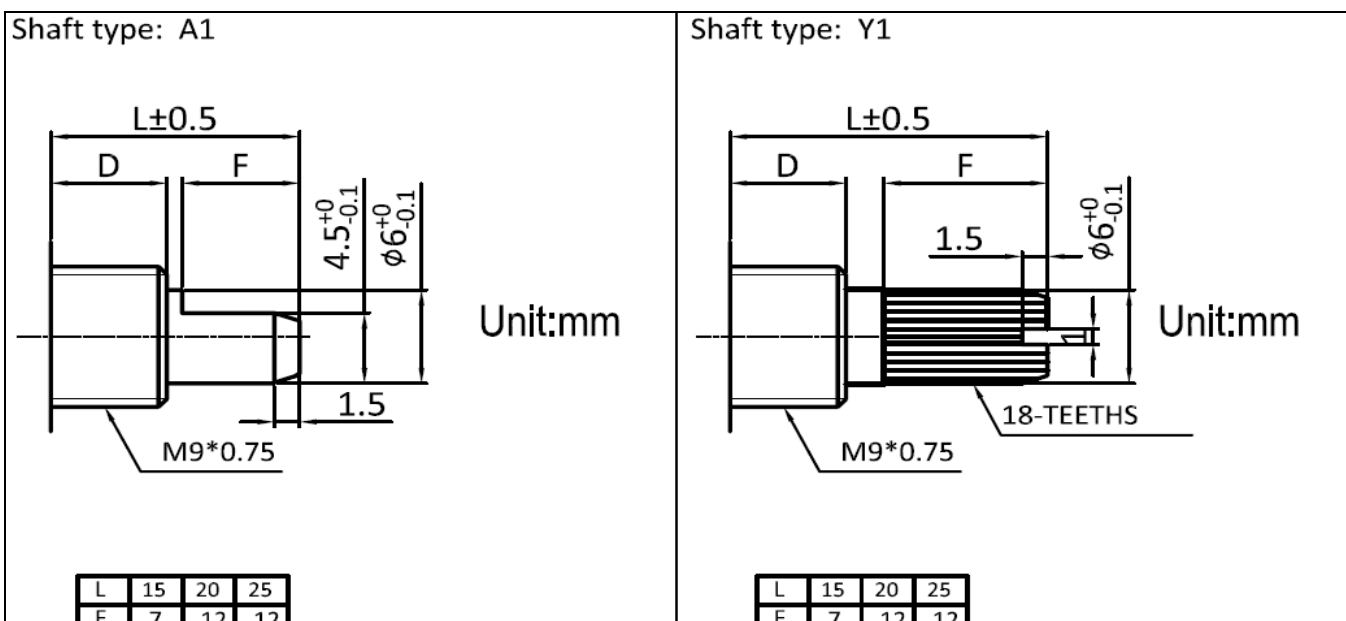
## Output Wave



## Sliding Noise



## Shaft and Shaft Length Options



## Packing specifications

---

Quantity per carton	2.000pcs
Packing method	Foam box
Carton dimension	460X285X310mm

---

## Soldering conditions

---

### Wave soldering

Soldering surface temperature	100°C max.
Heating time	2 min. max.
Soldering temperature	260°C $\pm$ 5°C max.
Soldering time	5 $\pm$ 1s
No. of solders	2 time max.

---

### Hand soldering

Tip temperature	350°C max.
Soldering time	3s max.
No. of solders	1 time