

# E1131XX1H1

---

|                        |            |
|------------------------|------------|
| Part number            | E1131XX1H1 |
| Structure              | Horizontal |
| Actuator configuration | Optional   |
| Actuator length        | Optional   |
| Number of detent       | Optional   |

---

|                             |             |
|-----------------------------|-------------|
| Number of pulse             | Optional    |
| Push-on switch              | With        |
| Travel of push-on switch    | 0.5mm       |
| Operating temperature range | -40°C~+85°C |

---

## Electrical characteristics

|   |                                      |
|---|--------------------------------------|
| Ratings   | 10mA 5V DC                           |
| Output signal                                   | Two phase A and B                    |
| Max./min. operating current<br>(Resistive load) | 10mA/1mA                             |
| Insulation resistance                           | 100M $\Omega$ min., 250V DC          |
| Voltage proof                                   | 300V AC for 1 min. or 360V AC for 2s |

---

## Mechanical characteristics

|                    |                |
|--------------------|----------------|
| Rotational torque  | 10 $\pm$ 7mN.m |
| Push-pull strength | 100N           |

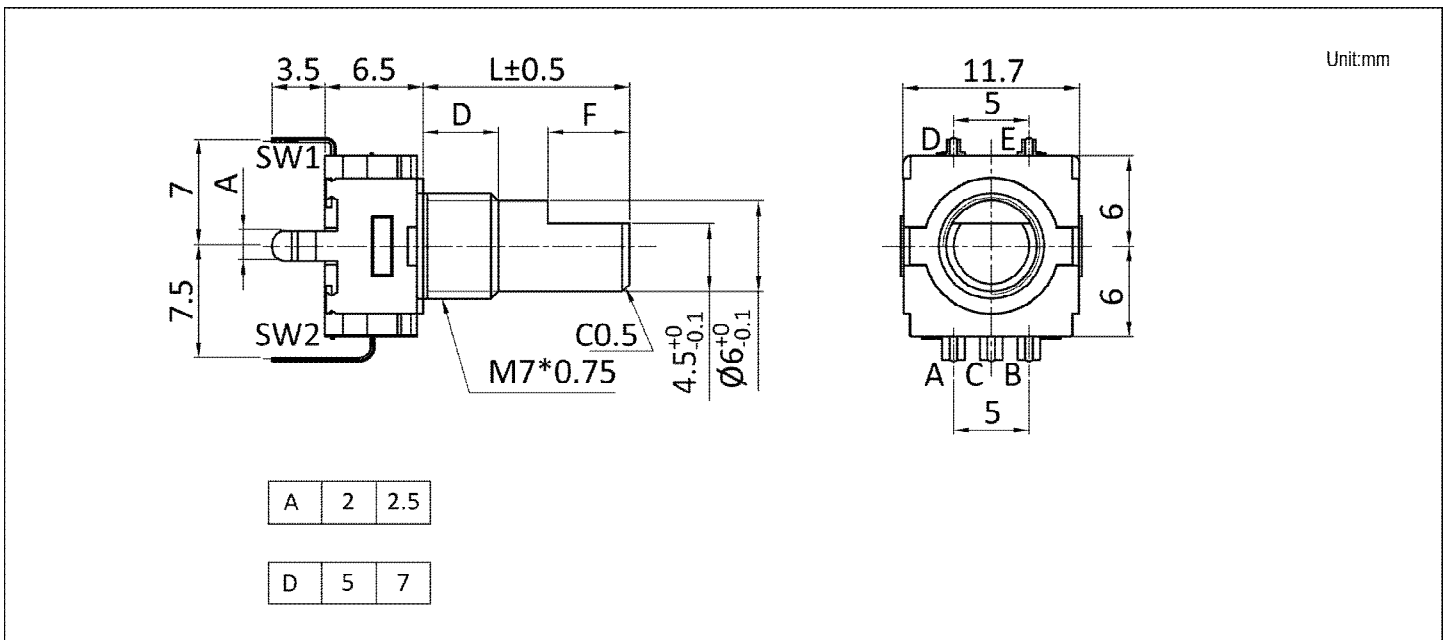
---

|            |                |               |
|------------|----------------|---------------|
| Durability | Operating life | 30.000 cycles |
| MOQ        |                | 1.000pcs      |

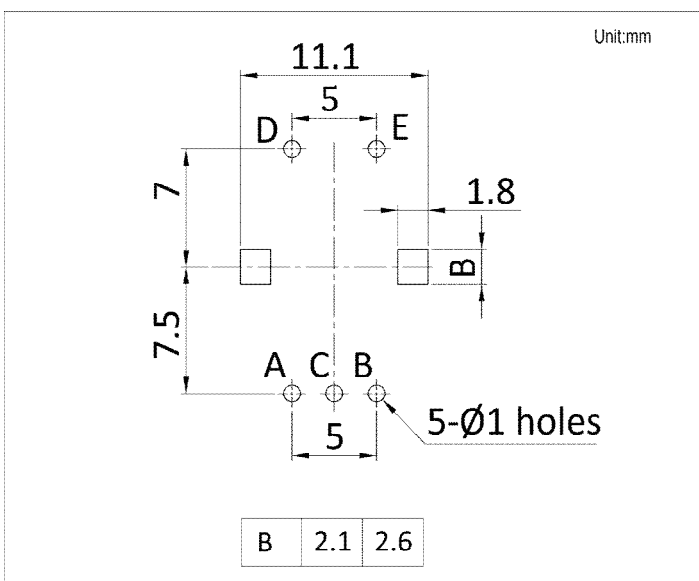
# Photo



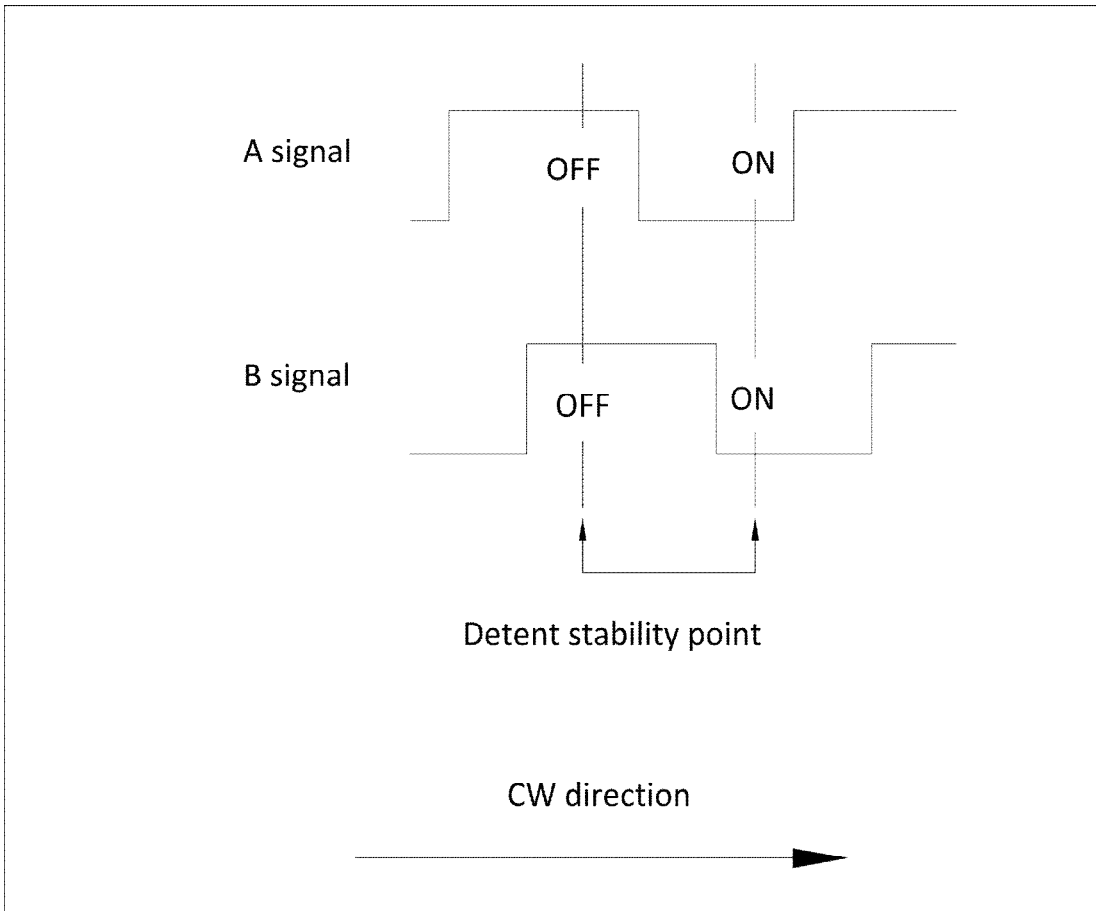
# Dimensions



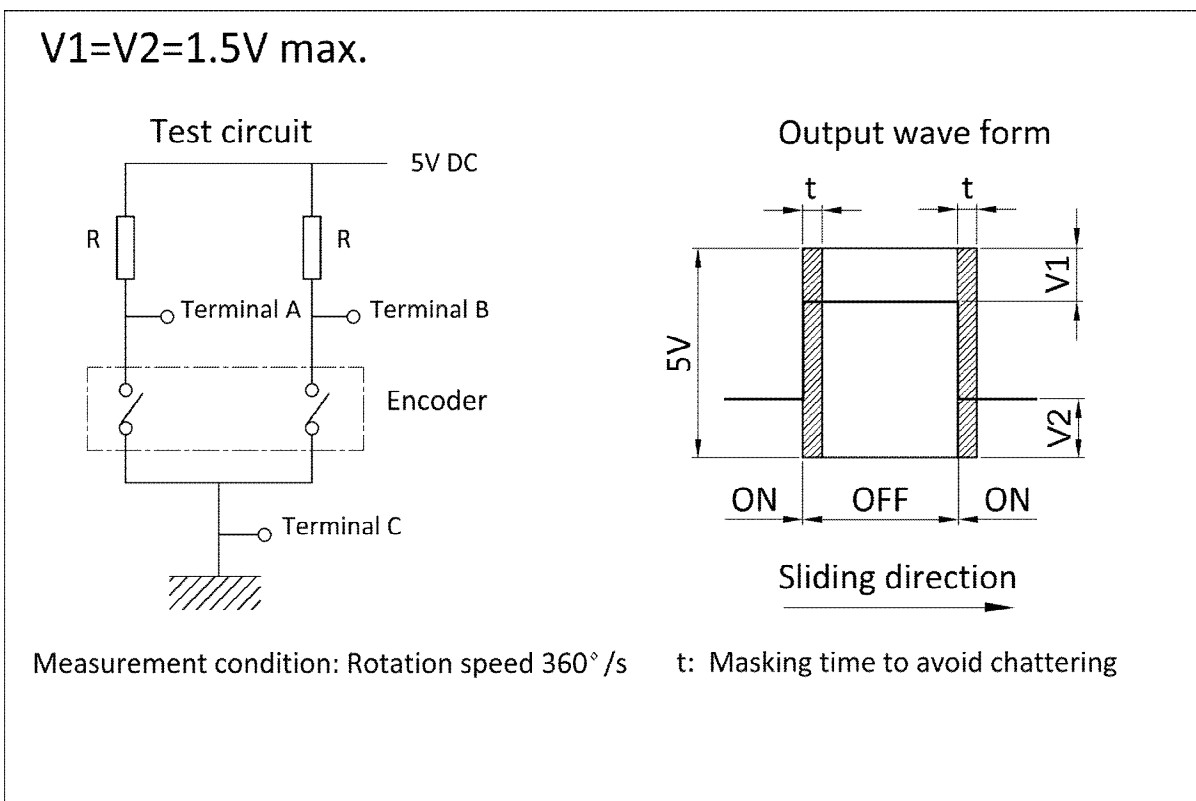
# Mounting Hole Dimensions



## Output Wave



## Sliding Noise

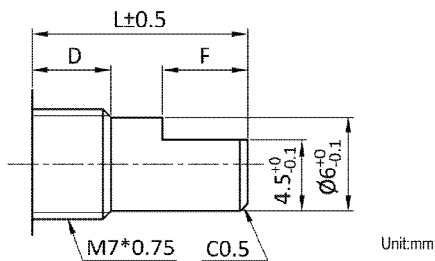


## Pulse and Detent Options

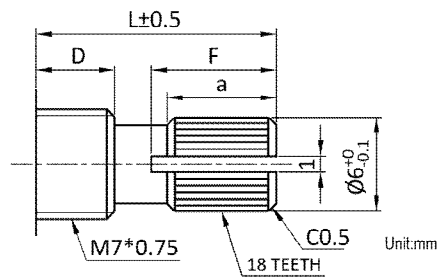
| Pulse | Detent | Direction |
|-------|--------|-----------|
| 15    | 15     | F         |
|       | 30     | F         |
| 20    | 20     | F         |
|       |        | R         |

## Shaft and Shaft Length Options

Shaft type: A1

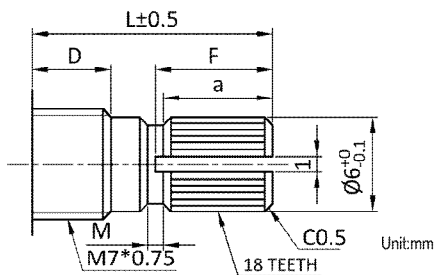


| D=5 |    |    |      |    |    |
|-----|----|----|------|----|----|
| L   | 10 | 12 | 14.5 | 15 | 15 |
| F   | 4  | 5  | 8    | 5  | 9  |
| D=7 |    |    |      |    |    |
| L   | 15 | 20 |      |    |    |
| F   | 7  | 10 |      |    |    |



| D=5 |    |    |
|-----|----|----|
| L   | 11 | 12 |
| F   | 4  | 5  |
| a   | 5  | 6  |
| D=7 |    |    |
| L   |    |    |
| F   |    |    |

Shaft type: K1



| D=5 |     |    |      |    |    |
|-----|-----|----|------|----|----|
| L   | 10  | 15 |      |    |    |
| F   | 4   | 7  |      |    |    |
| a   | 3.5 | 6  |      |    |    |
| M   | 0.5 | 2  |      |    |    |
| D=7 |     |    |      |    |    |
| L   | 15  | 17 | 19.5 | 20 | 25 |
| F   | 7   | 7  | 10   | 10 | 15 |
| a   | 6   | 6  | 9    | 9  | 14 |
| M   | 1   | 2  | 2    | 2  | 2  |

## Packing specifications

---

|                     |               |
|---------------------|---------------|
| Quantity per carton | 2.000pcs      |
| Packing method      | Foam box      |
| Carton dimension    | 460X285X310mm |

---

## Soldering conditions

---

### Wave soldering

|                               |                      |
|-------------------------------|----------------------|
| Soldering surface temperature | 100°C max.           |
| Heating time                  | 2 min. max.          |
| Soldering temperature         | 260°C $\pm$ 5°C max. |
| Soldering time                | 5 $\pm$ 1s           |
| No. of solders                | 2 time max.          |

---

### Hand soldering

|                 |            |
|-----------------|------------|
| Tip temperature | 350°C max. |
| Soldering time  | 3s max.    |
| No. of solders  | 1 time     |