

E1105ZX3W1

Part number	E1105ZX3W1
Structure	Horizontal
Actuator configuration	A1
Actuator length	Optional
Number of detent	30

Number of pulse	15
Push-on switch	With
Travel of push-on switch	0.5mm
Operating temperature range	-40°C~+85°C

Electrical characteristics

Ratings	10mA 5V DC
Output signal	Two phase A and B
Max./min. operating current (Resistive load)	10mA/1mA
Insulation resistance	100M Ω min., 250V DC
Voltage proof	300V AC for 1 min. or 360V AC for 2s

Mechanical characteristics

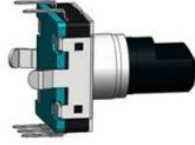
Rotational torque	10 \pm 7mN.m
Push-pull strength	100N

Push-on switch specifications

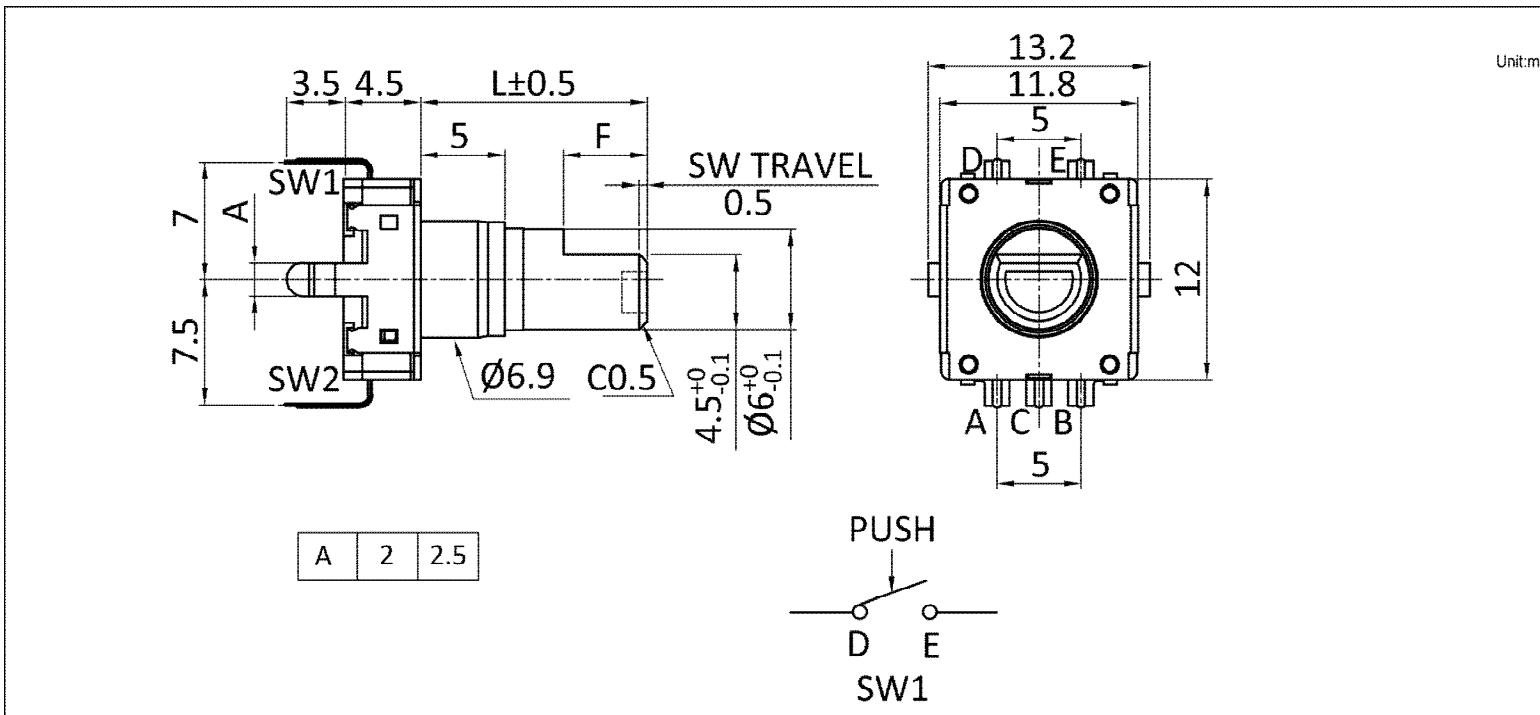
Contact arrangement	Single pole single throw (Push-on)
Travel	0.5 \pm 0.3mm
Operating force	5 \pm 1.5N
Ratings	0.1A 5V DC (500 μ A 5V DC min.)
Contact resistance (Initial performance/After lifetime)	100m Ω max./200m Ω max.
Operating life	20.000 cycles

Durability	Operating life	30.000 cycles
MOQ		1.000pcs

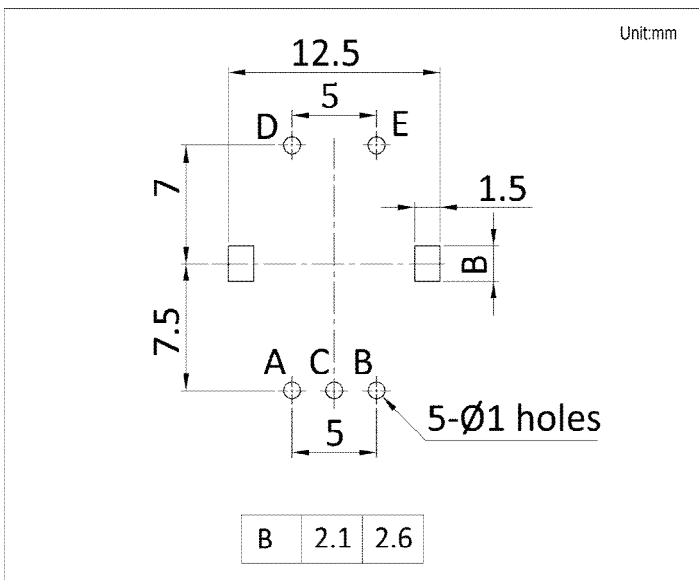
Photo



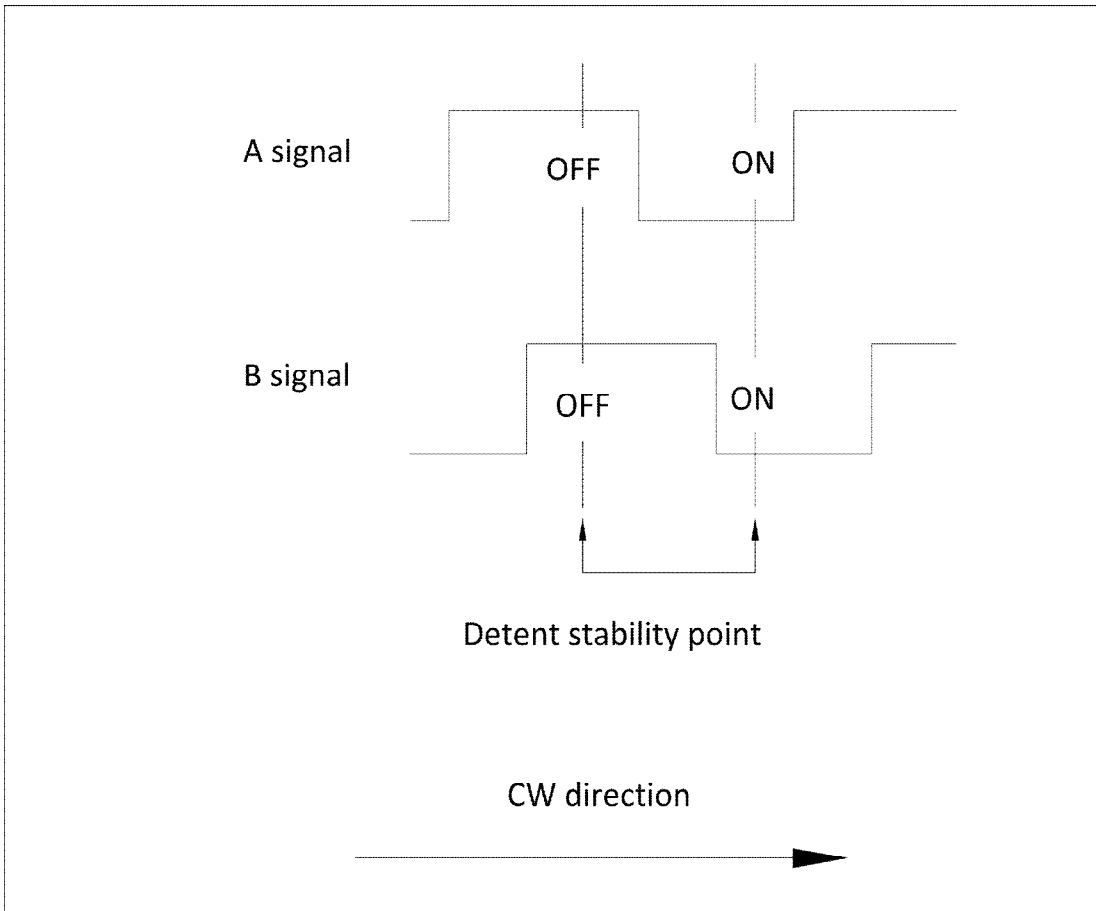
Dimensions



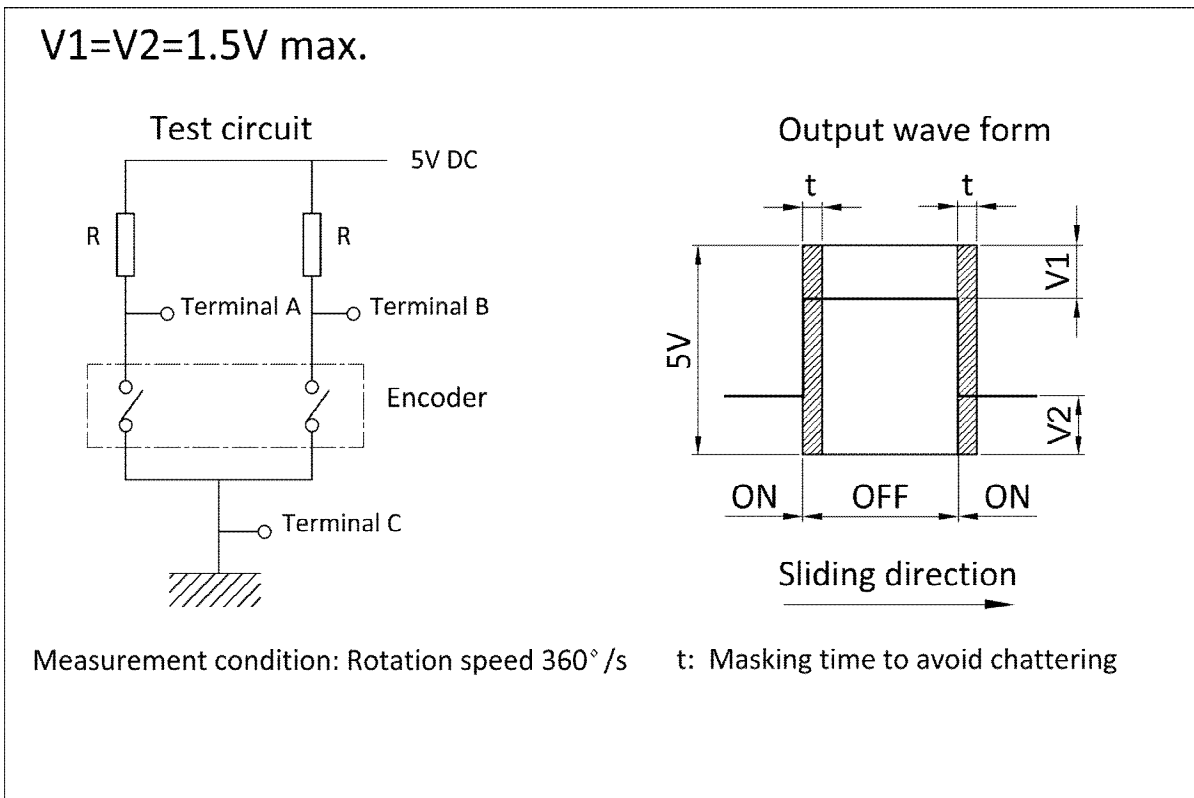
Mounting Hole Dimensions



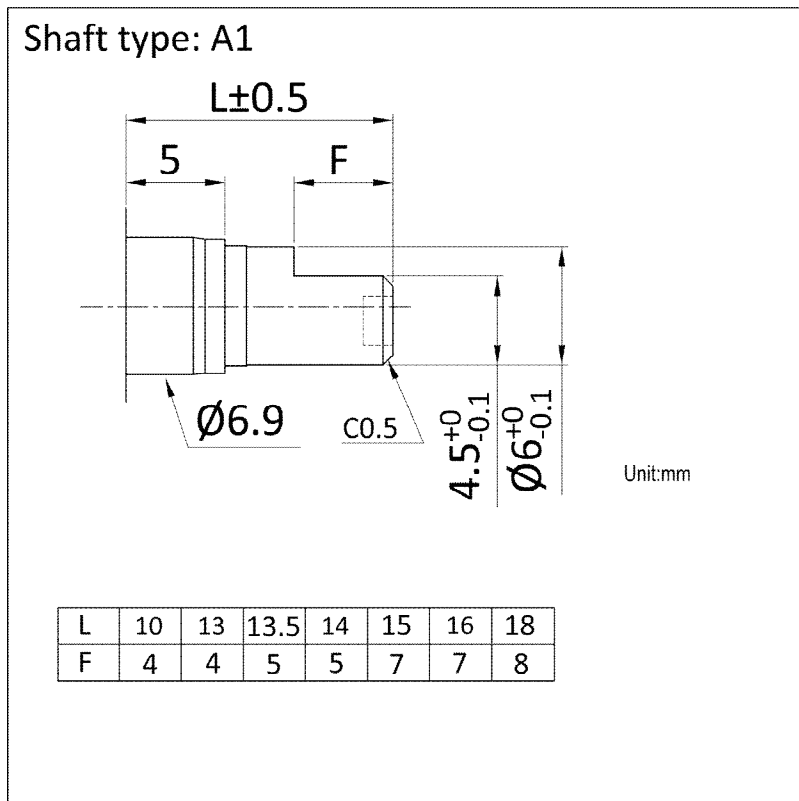
Output Wave



Sliding Noise



Shaft Length Options



Packing specifications

Quantity per carton	2.000pcs
Packing method	Foam box
Carton dimension	460X285X310mm

Soldering conditions

Wave soldering

Soldering surface temperature	100°C max.
Heating time	2 min. max.
Soldering temperature	260°C ±5°C max.
Soldering time	5 ±1s
No. of solders	2 time max.

Hand soldering

Tip temperature	350°C max.
Soldering time	3s max.
No. of solders	1 time