

# E1121XX1H1

---

Part number	E1121XX1H1
Structure	Horizontal
Actuator configuration	Optional
Actuator length	Optional
Number of detent	Optional

---

Number of pulse	Optional
Push-on switch	With
Travel of push-on switch	0.5mm
Operating temperature range	-40°C~+85°C

---

## Electrical characteristics

Ratings	10mA 5V DC
Output signal	Two phase A and B
Max./min. operating current (Resistive load)	10mA/1mA
Insulation resistance	100M $\Omega$ min., 250V DC
Voltage proof	300V AC for 1 min. or 360V AC for 2s

---

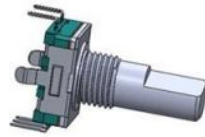
## Mechanical characteristics

Rotational torque	10 $\pm$ 7mN.m
Push-pull strength	100N

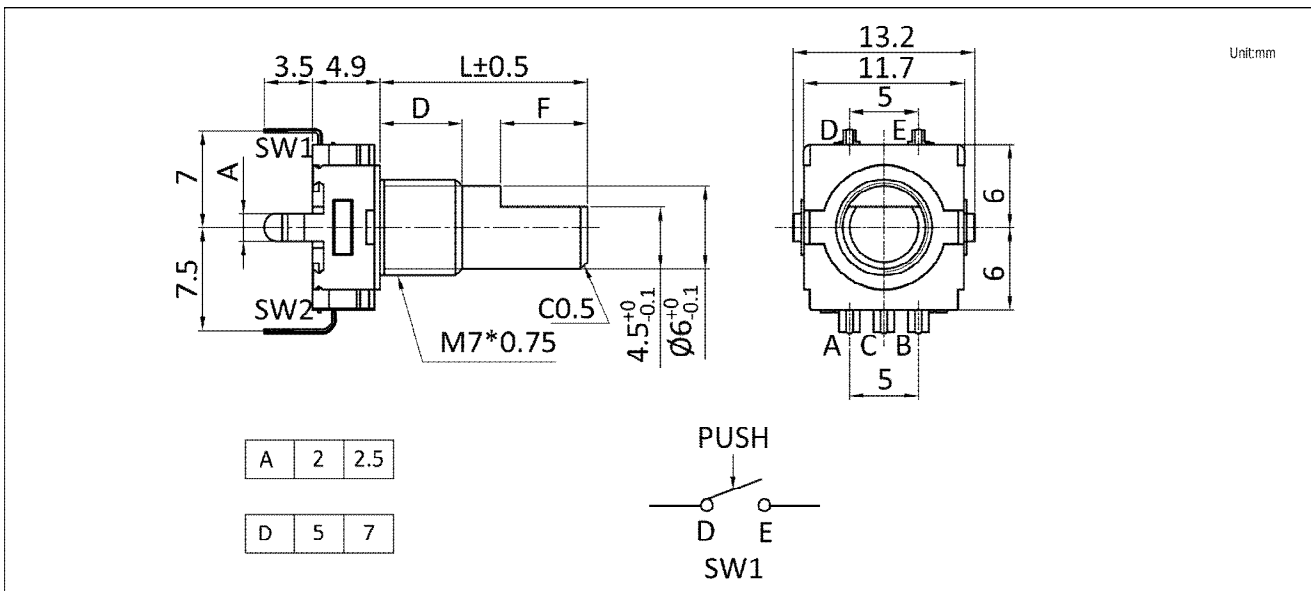
---

Durability	Operating life	30.000 cycles
MOQ		1.000pcs

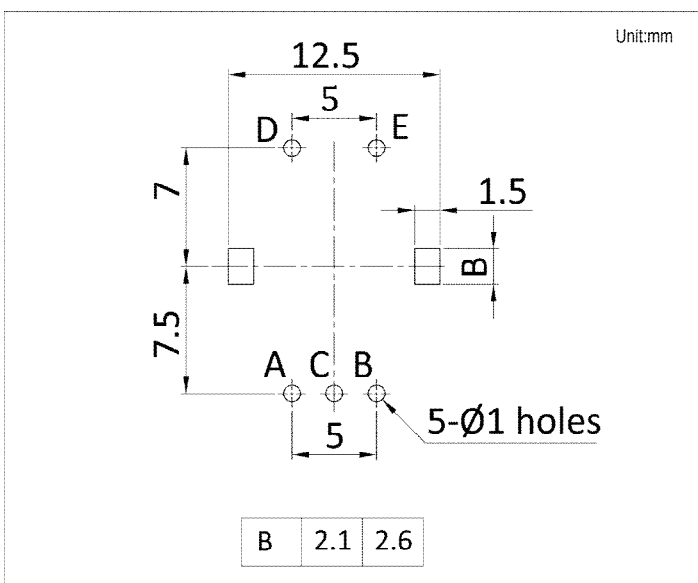
# Photo



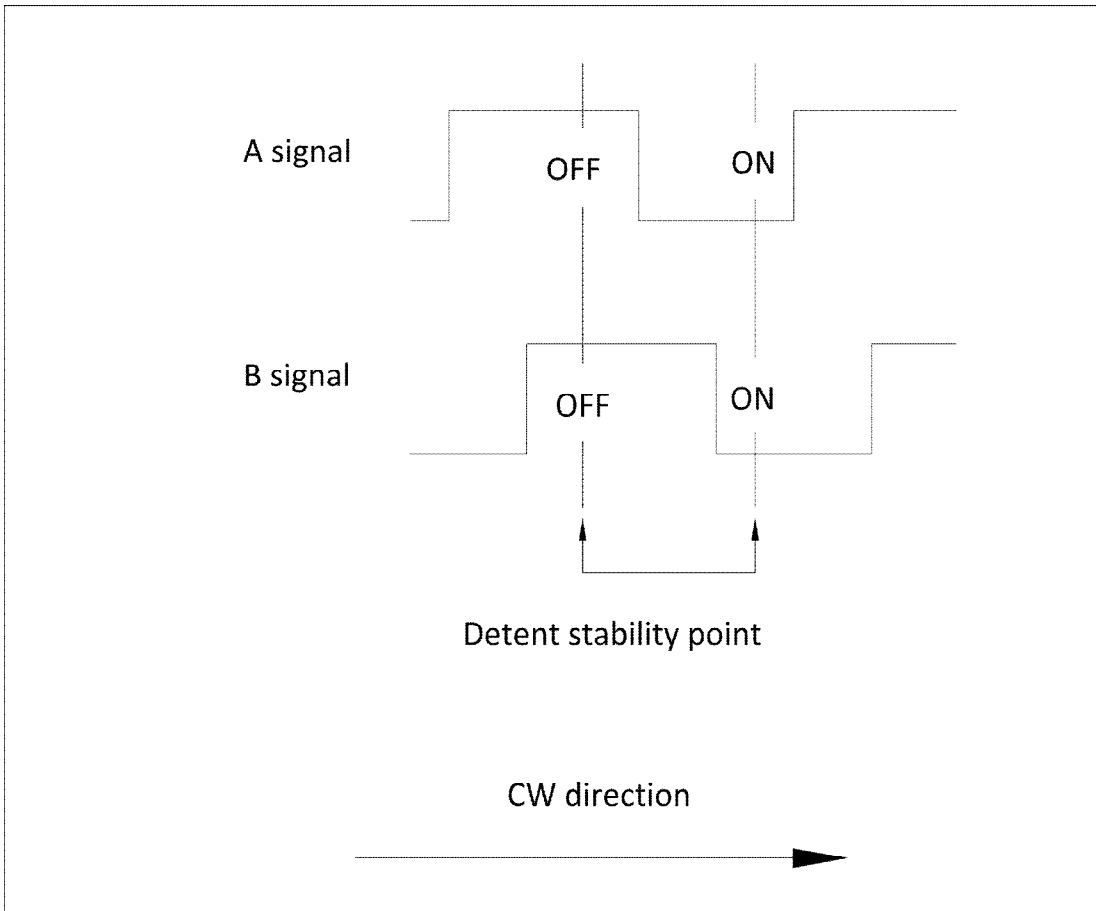
# Dimensions



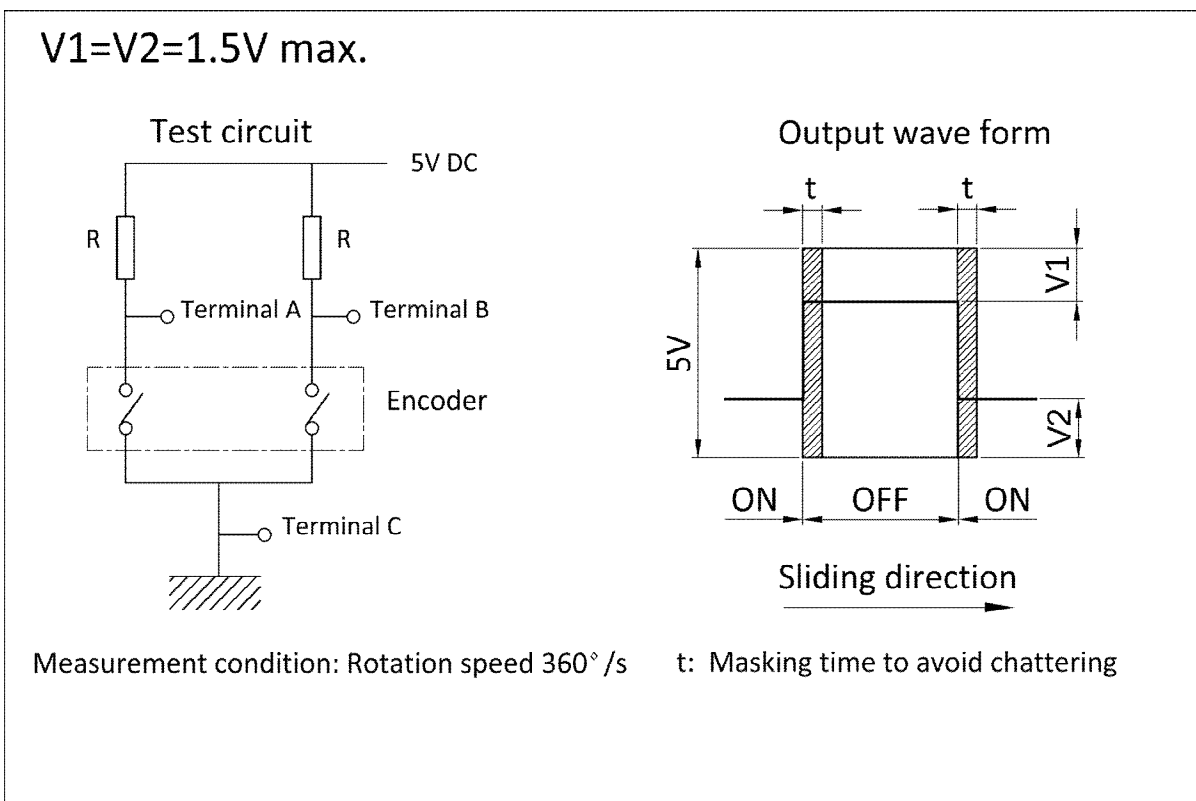
# Mounting Hole Dimensions



## Output Wave



## Sliding Noise

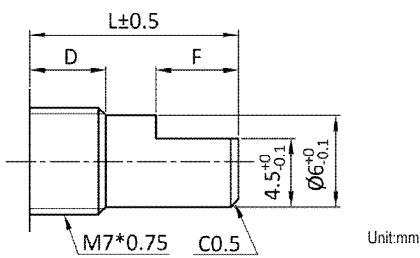


## Pulse and Detent Options

Pulse	Detent	Direction
15	15	F
	30	F
20	20	F
		R

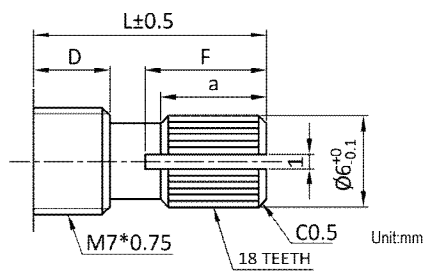
## Shaft and Shaft Length Options

Shaft type: A1



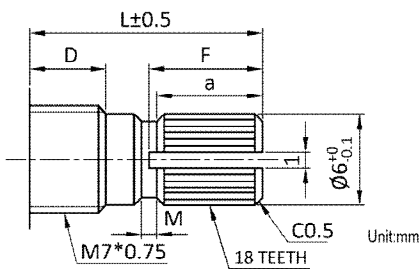
D=5					
L	10	10	12	14.5	15
F	4	4.5	5	8	7
D=7					
L	15	20			
F	7	10			

Shaft type: V1



D=5		
L	11	12
F	4	5
a	5	6
D=7		
L		
F		
a		

Shaft type: K1



D=5					
L	10	15			
F	4	7			
a	3.5	6			
M	0.5	2			
D=7					
L	15	17	19.5	20	25
F	7	7	10	10	15
a	6	6	9	9	14
M	1	2	2	2	2

## Packing specifications

---

Quantity per carton	2.000pcs
Packing method	Foam box
Carton dimension	460X285X310mm

---

## Soldering conditions

---

### Wave soldering

Soldering surface temperature	100°C max.
Heating time	2 min. max.
Soldering temperature	260°C $\pm$ 5°C max.
Soldering time	5 $\pm$ 1s
No. of solders	2 time max.

---

### Hand soldering

Tip temperature	350°C max.
Soldering time	3s max.
No. of solders	1 time