

---

Part number	CXXX40NOXXH1
Number of resistor elements	Single-unit
Lever direction	Straight pin
Travel	15/20/30/45/60mm
Lever type	Optional

---

Lever length	Optional
Total resistance	500 $\Omega$ -1000k $\Omega$
Center detent	Optional
Resistance taper	Optional
Operating temperature range	-25 $^{\circ}$ C--+70 $^{\circ}$ C

---

## Electrical characteristics

Total resistance tolerance	<input type="checkbox"/> $\pm 20\%$ <input type="checkbox"/> Other
Rated power	0.1W
Max. operating voltage	150V AC, 10V DC
Residual resistance	20 $\Omega$ max
Sliding noise	less than 100mV
Insulation resistance	100M $\Omega$ min., 250V DC
Voltage proof	300V AC for 1 min.

---

## Mechanical characteristics

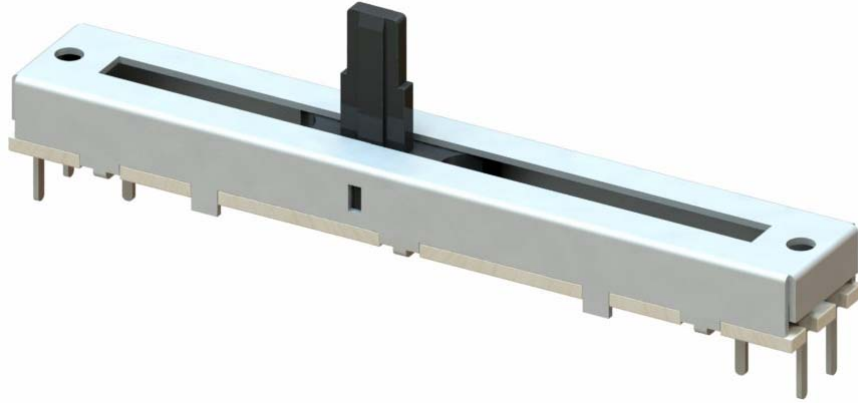
Operating force	0.3 to 2.5N
Stopper strength	30N
Lever push-pull strength	50N
Lever wobble (2 sides)	1mm
Vibration	10 to 55 to 10Hz/min, amplitude is 1.5mm for all the freque, in X,Y and Z directions and for 2 hours respectively

---

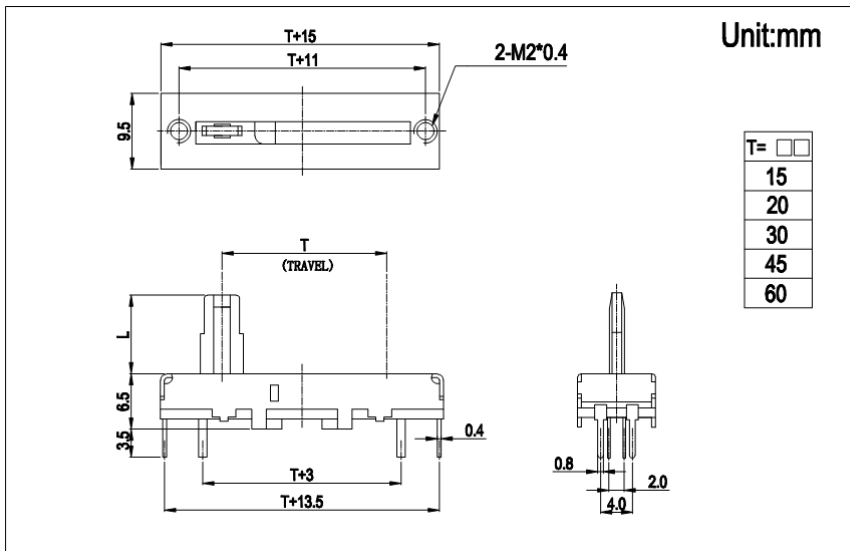
Durability	Operating life	15.000 cycles
------------	----------------	---------------

MOQ		1000pcs
-----	--	---------

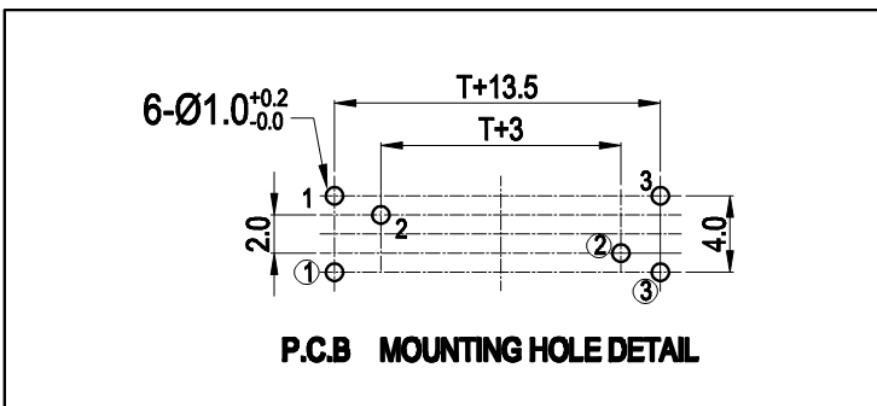
## Photo



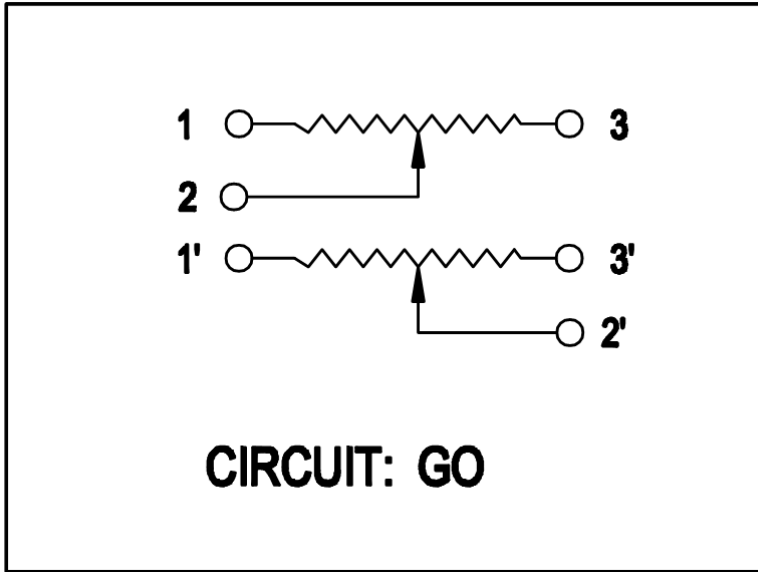
## Dimensions



## Mounting Hole Details



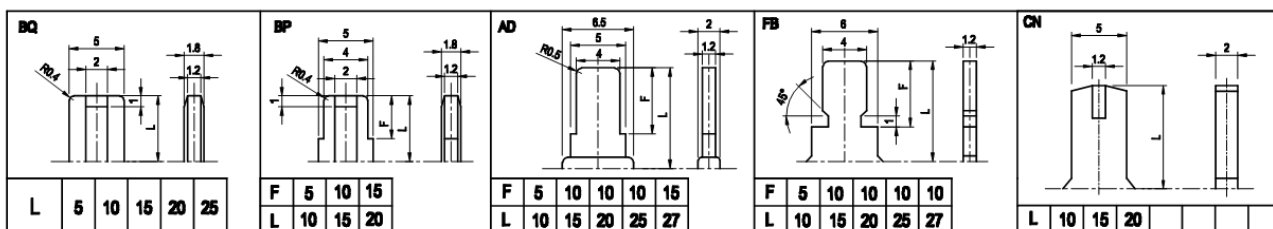
## Circuit Diagram



## Resistance Taper Options

A Taper	B Taper	C Taper	MN
05 A	1 B	05 C	M
10 A	2 B	10 C	N
15 A	3 B	15 C	
20 A	4 B	20 C	
25 A		25 C	
30 A		30 C	

## Handle optional



## Packing specifications

---

Quantity per carton	528pcs
Packing method	Option
Carton dimension	460X285X310mm

---

## Soldering conditions

---

### Wave soldering

Soldering temperature	260°C $\pm$ 5°C max.
Soldering time	5 $\pm$ 1s
No. of solders	1 time max.

---

### Hand soldering

Tip temperature	350°C max.
Soldering time	3s max.
No. of solders	1 time