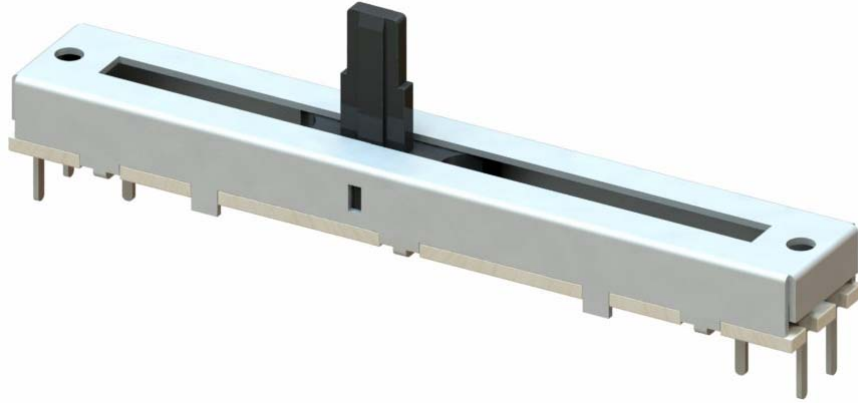
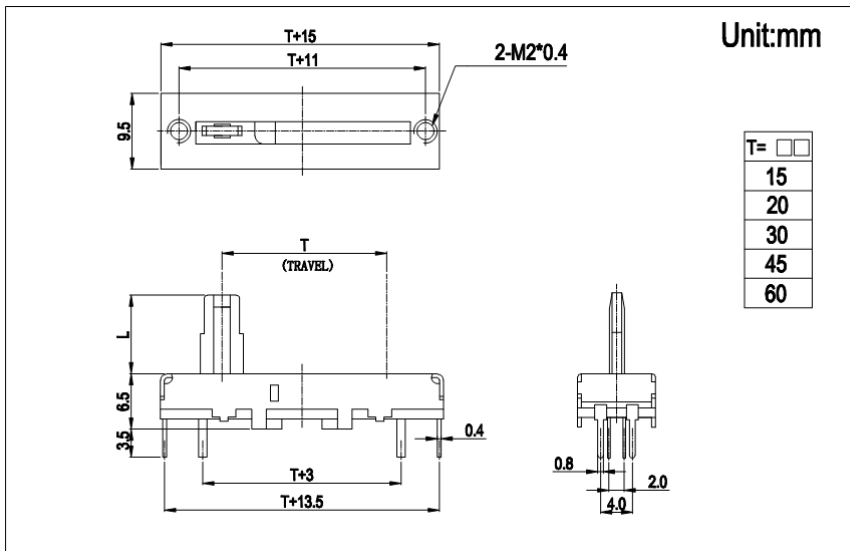




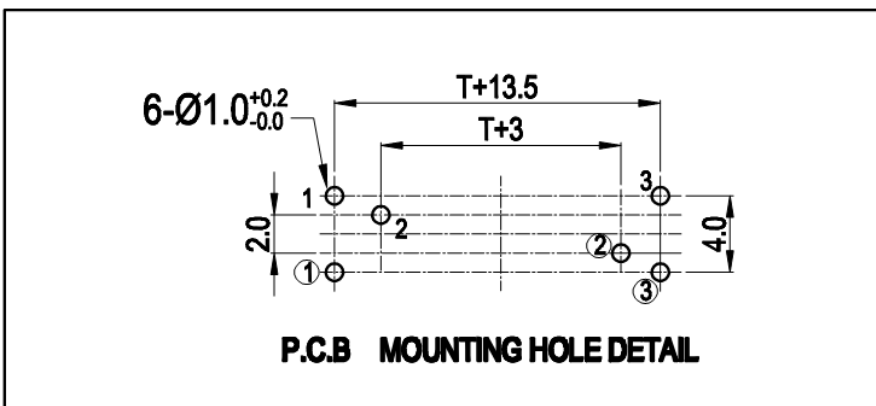
## Photo



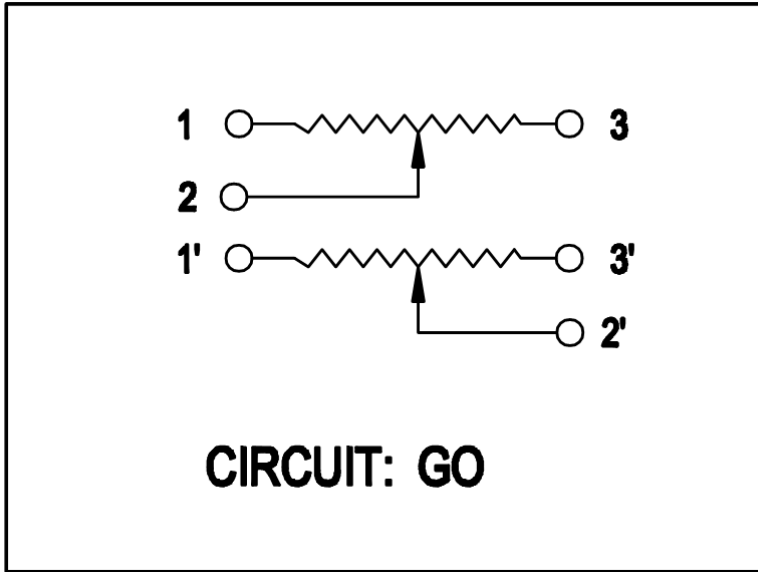
## Dimensions



## Mounting Hole Details



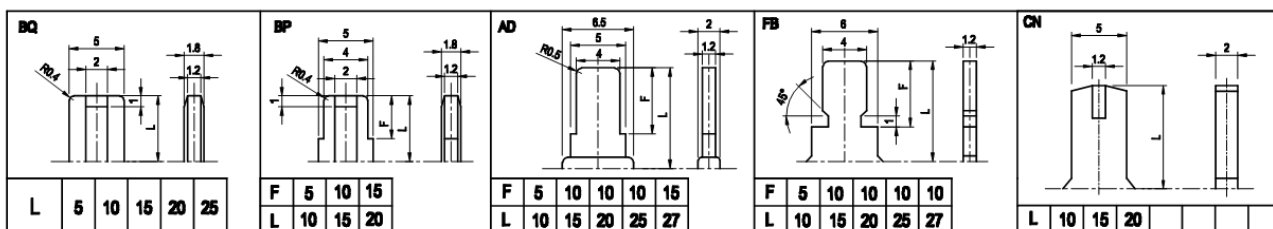
## Circuit Diagram



## Resistance Taper Options

A Taper	B Taper	C Taper	MN
05 A	1 B	05 C	M
10 A	2 B	10 C	N
15 A	3 B	15 C	
20 A	4 B	20 C	
25 A		25 C	
30 A		30 C	

## Handle optional



## Packing specifications

---

Quantity per carton	528pcs
Packing method	Option
Carton dimension	460X285X310mm

---

## Soldering conditions

---

### Wave soldering

Soldering temperature	260°C $\pm$ 5°C max.
Soldering time	5 $\pm$ 1s
No. of solders	1 time max.

---

### Hand soldering

Tip temperature	350°C max.
Soldering time	3s max.
No. of solders	1 time