

R22002XXBXXX

| | |
|-----------------------------|--------------|
| Part number | R22002XXBXXX |
| Number of resistor elements | Single-unit |
| Center detent | None |

| | |
|-----------------------------|--------------|
| Total resistance | 35k Ω |
| Resistance taper | Optional |
| Operating temperature range | -40°C~+80°C |

Electrical characteristics

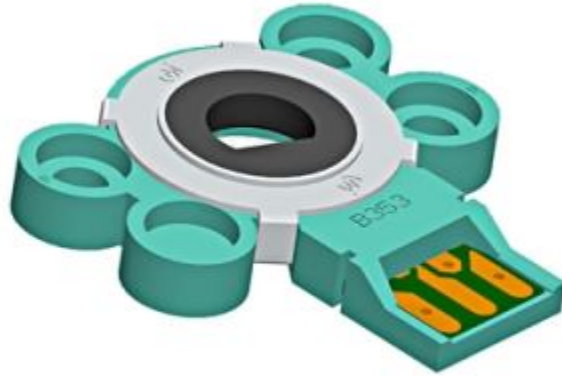
| | |
|----------------------------|-----------------------------|
| Total resistance tolerance | $\pm 10\%$ Other |
| Rated power | 0.1W |
| Max. operating voltage | 50V AC, 12V DC |
| Sliding noise | less than 47mV |
| Insulation resistance | 100M Ω min., 500V DC |
| Voltage proof | 250V AC for 1 min. |

Mechanical characteristics

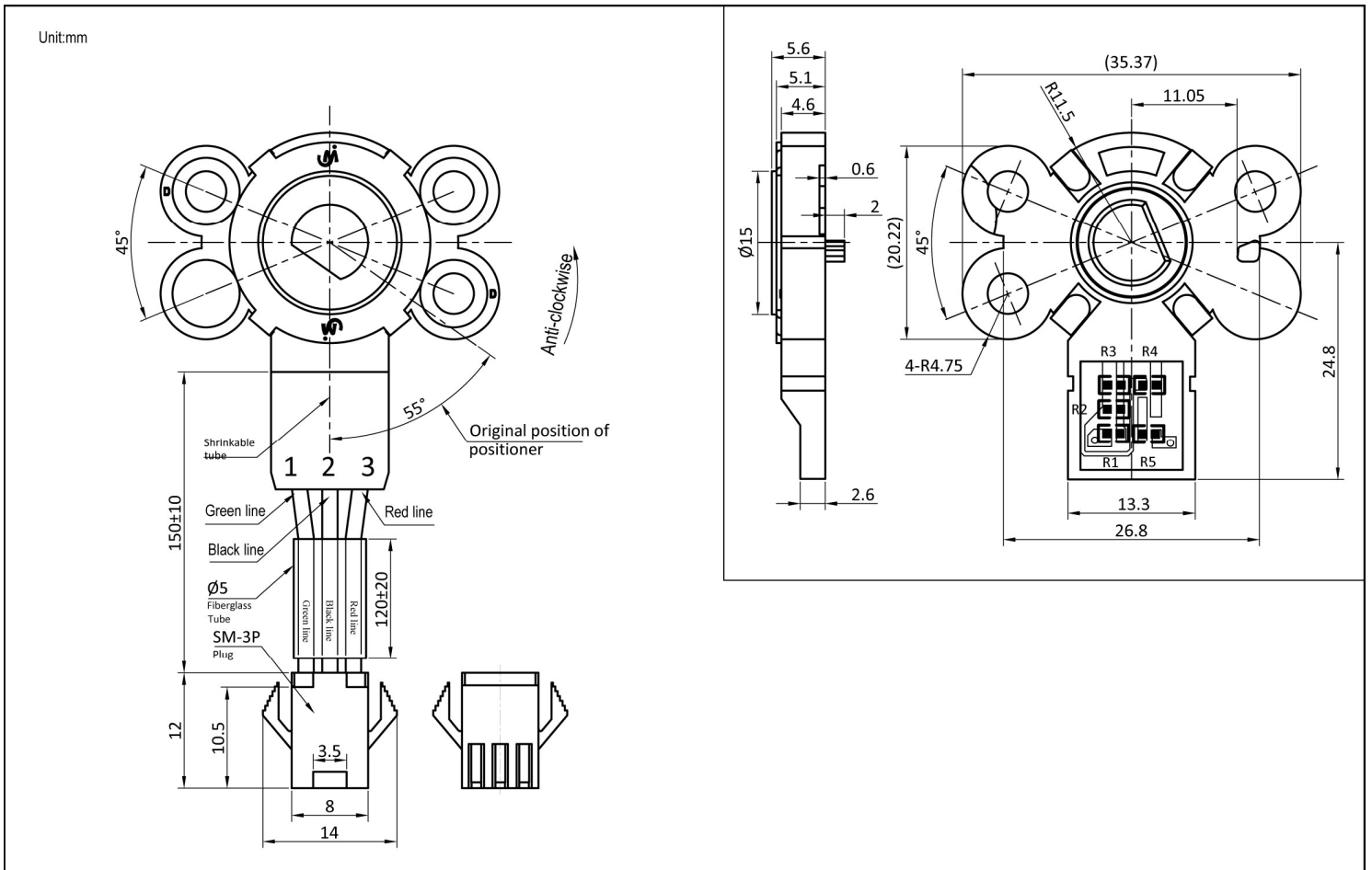
| | |
|------------------------|--|
| Total rotational angle | 360° |
| Rotational torque | 2~10mN.m |
| Stopper strength | No |
| Vibration | 10 to 55 to 10Hz/min., Amplitude is 1.5mm for all the frequencies, in X, Y and Z directions and for 2 hours respectively |

| | | |
|------------|----------------|----------------|
| Durability | Operating life | 100.000 cycles |
| MOQ | | 500pcs |

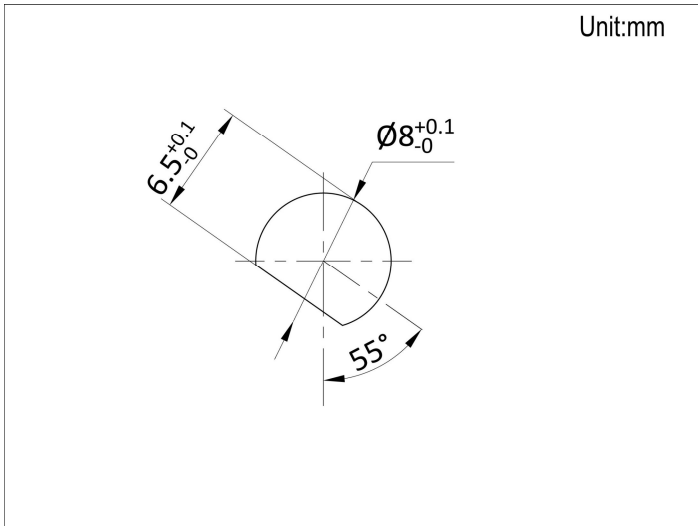
Photo



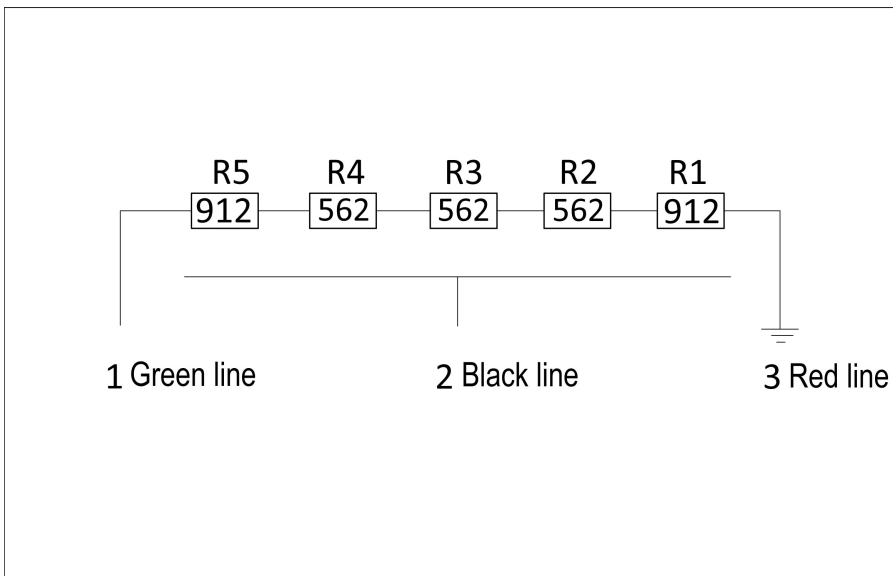
Dimensions



Mounting Hole Dimensions



Circuit Diagram



Resistance Taper Options

| A Taper | B Taper | C Taper | MN |
|---------|---------|---------|----|
| 05 A | 1 B | 05 C | M |
| 10 A | 2 B | 10 C | N |
| 15 A | 3 B | 15 C | |
| 20 A | 4 B | 20 C | |
| 25 A | | 25 C | |
| 30 A | | 30 C | |

Packing specifications

Quantity per carton

500pcs

Packing method

Plastic bag

Carton dimension

460X285X310mm

Soldering conditions

Hand soldering

| | |
|-----------------|------------|
| Tip temperature | 350°C max. |
| Soldering time | 5s max. |
| No. of solders | 2 time |